



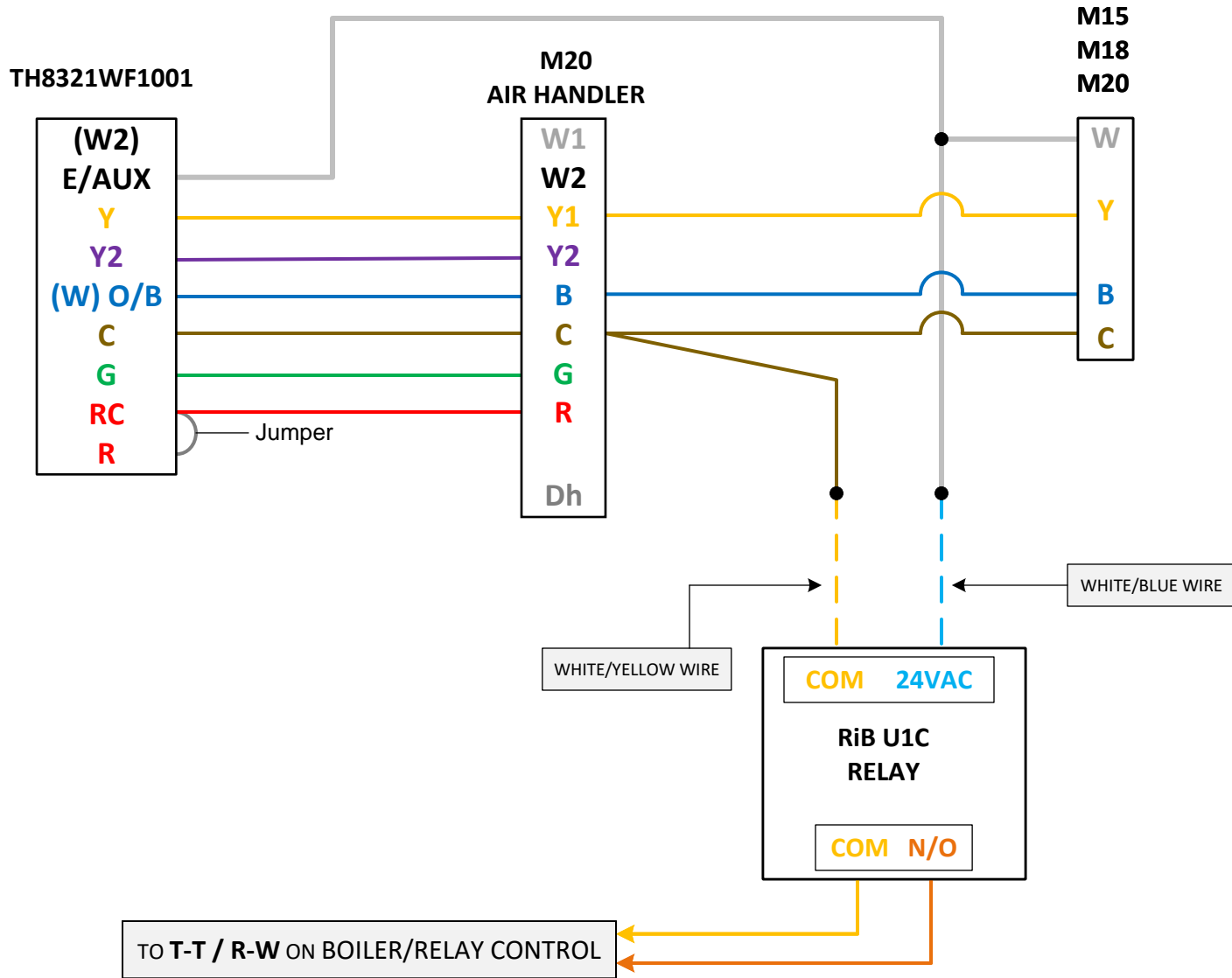
TSS Associates, Inc.

Honeywell

For further assistance, please contact
Honeywell directly for Tech Support

1-800-633-3991

© Copyright 2023 TSS Associates, Inc. All Rights Reserved. No part of this document may be modified or reproduced without consent from TSS Associates, Inc. This document is for informational purposes only. For additional assistance, please contact Tech Support.



NOTES:

For applications with a boiler as auxiliary heat, piped to baseboard, radiators, radiant, etc.

TSS Associates, Inc.

DESCRIPTION

HONEYWELL VISIONPRO 8000 – BOSCH IDS & M20 AHU – BOILER

DATE: 1/5/2024

PAGE: 2 of 4

PARAMETERS:

- 106 - Outdoor Temp - Set to **Wired/Internet**, *if using wired sensor see below:*
 - 200 - Heating System - Set to **Heat Pump**
 - 201 - Heat Equipment - Set to **Air-to-Air Heat Pump**
 - 206 - Reversing Valve - Set to **O/B on Heat**
(O/B terminal)
 - 207 - Cool/Compressor Stages - Set to **2**
 - 212 - Backup Heat Type - Set to **Gas/Oil**
 - 213 - Backup Heat Stages - Set to **1**
 - 216 - Backup Heat Fan - Set to **Equip Controls Fan**
 - 219 - External Fossil Fuel Kit - Set to **No**
 - 300 - System Changeover - Set to **Manual**
 - 301 - Control Options - Set to **Basic Options**
 - 308 - Backup Heat Droop - Set to **3°F**
 - 311 - Upstage Timer for Backup Heat - Set to **60 minutes**
 - 312 - Outdoor Lockout Heat Pump - Set to **Whatever temp is desired based upon homeowner comfort and energy costs**
(Balance Point)
 - 312 - Outdoor Lockout Backup Heat - Set to **Whatever temp is desired based upon energy costs**
 - 314 - Cool Cycles Per Hour Stage 1 - Set to **1**
 - 314 - Cool Cycles Per Hour Stage 2 - Set to **1**
 - 316 - Backup Heat Cycles Per Hour - Set to **1**
 - 324 - Compressor Off Time - Set to **Off**
 - 409 - Adaptive Intelligent Recovery - Set to **Yes**
- If using wired outdoor sensor:*
- 340 - Remote sensor - Set to **2 = Outdoor sensor for control**
 - 500 - Wired Outdoor Sensor - Set to **Yes**

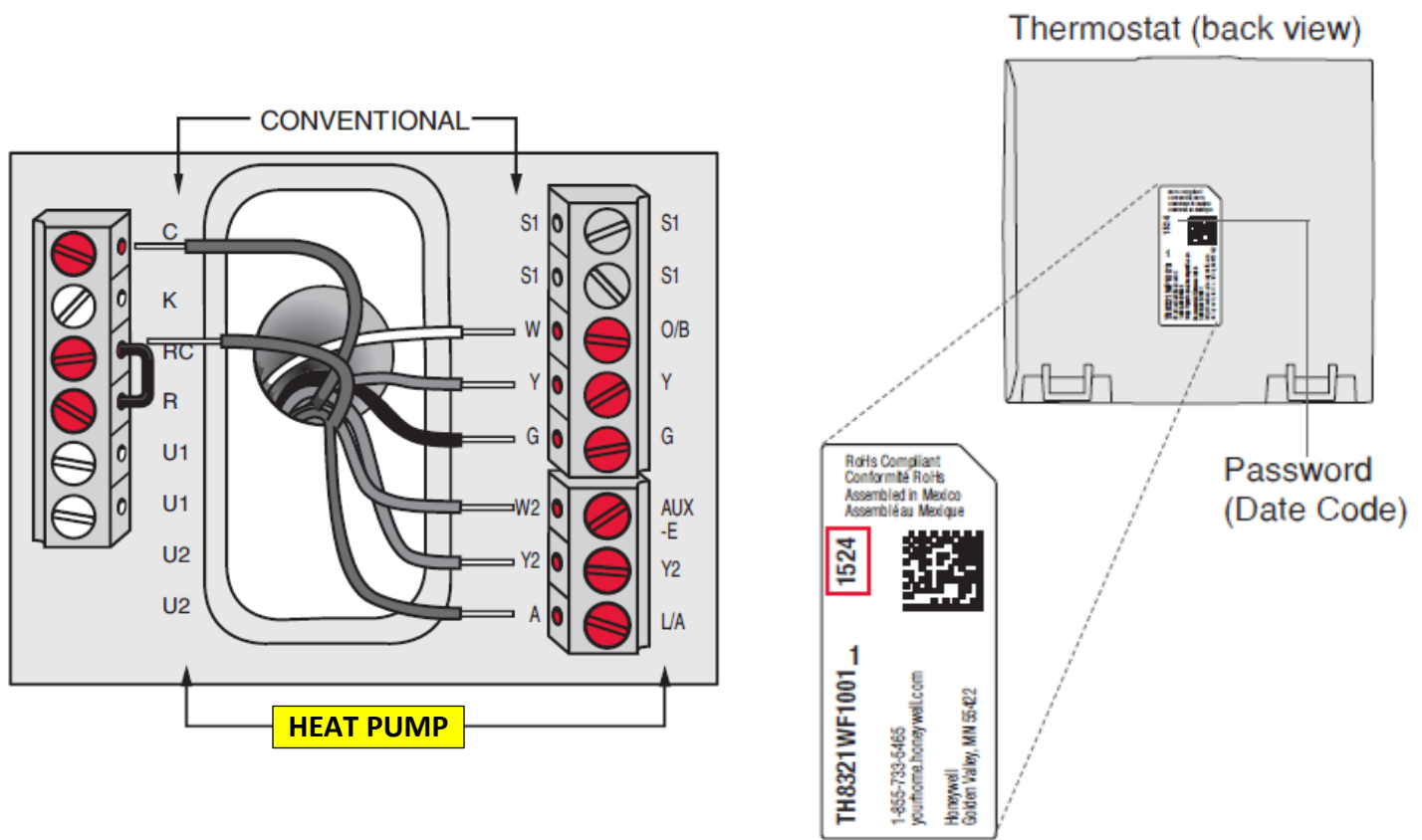
All other setpoints should be left to Factory Settings unless any optional equipment has been added to system or based upon customer preference

NOTES:
 Thermostat needs to be connected to homeowner's Wi-Fi to program Balance Point if not using wired outdoor sensor. Need passcode on back of thermostat to access Installer Options in Settings.

TSS Associates, Inc.

DESCRIPTION
 HONEYWELL VisionPRO 8000 – BOSCH **IDS** – BOILER BACK-UP HEAT

DATE: 1/8/2024 PAGE: 3 of 4



Terminal Designations

Conventional System		Heat Pump	
Terminal	Description	Terminal	Description
C	Common wire from secondary side of cooling transformer (if 2 transformers).	C	Common wire from secondary side of cooling transformer.
Rc*	Cooling power.	Rc	Cooling power.
R*	Heating power.	R	Heating power.
W	Heat Stage 1	O/B	Changeover valve for heat pumps.
W2	Heat Stage 2	AUX-E	Backup Heat/Emergency Heat
Y	Compressor Stage 1	Y	Compressor Stage 1
Y2	Compressor Stage 2	Y2	Compressor Stage 2
G	Fan Relay	G	Fan Relay
A	Connect to Economizer Module or Lighting Panel (TOD).	L/A	Connect to Compressor Monitor, Zone Panel, Economizer Module or Lighting Panel (TOD).
U1 / U1	Universal relay for humidification, dehumidification, ventilation, or a stage of heating/cooling.	U1 / U1	Universal relay for humidification, dehumidification, ventilation, or a stage of heating/cooling.
S1 / S1	Universal input for a wired indoor, outdoor or discharge sensor.	S1 / S1	Universal input for a wired indoor, outdoor or discharge sensor.
K**	Connect to K on Wire Saver module.	K**	Connect to K on Wire Saver module.

* Remove factory installed jumper for two transformer systems.

** The THP9045A1023 Wire Saver module is used on heat/cool systems when you only have four wires at the thermostat and you need a fifth wire for a common wire. Use the **K terminal** in place of the Y and G terminals on conventional or heat pump systems to provide control of the fan and the compressor through a single wire—the unused wire then becomes your common wire. See THP9045 instructions for more information.

NOTES:

TSS Associates, Inc.

DESCRIPTION

HONEYWELL VisionPRO 8000 – BOSCH IDS – BOILER BACK-UP HEAT

DATE: 1/5/2024

PAGE: 4 of 4