

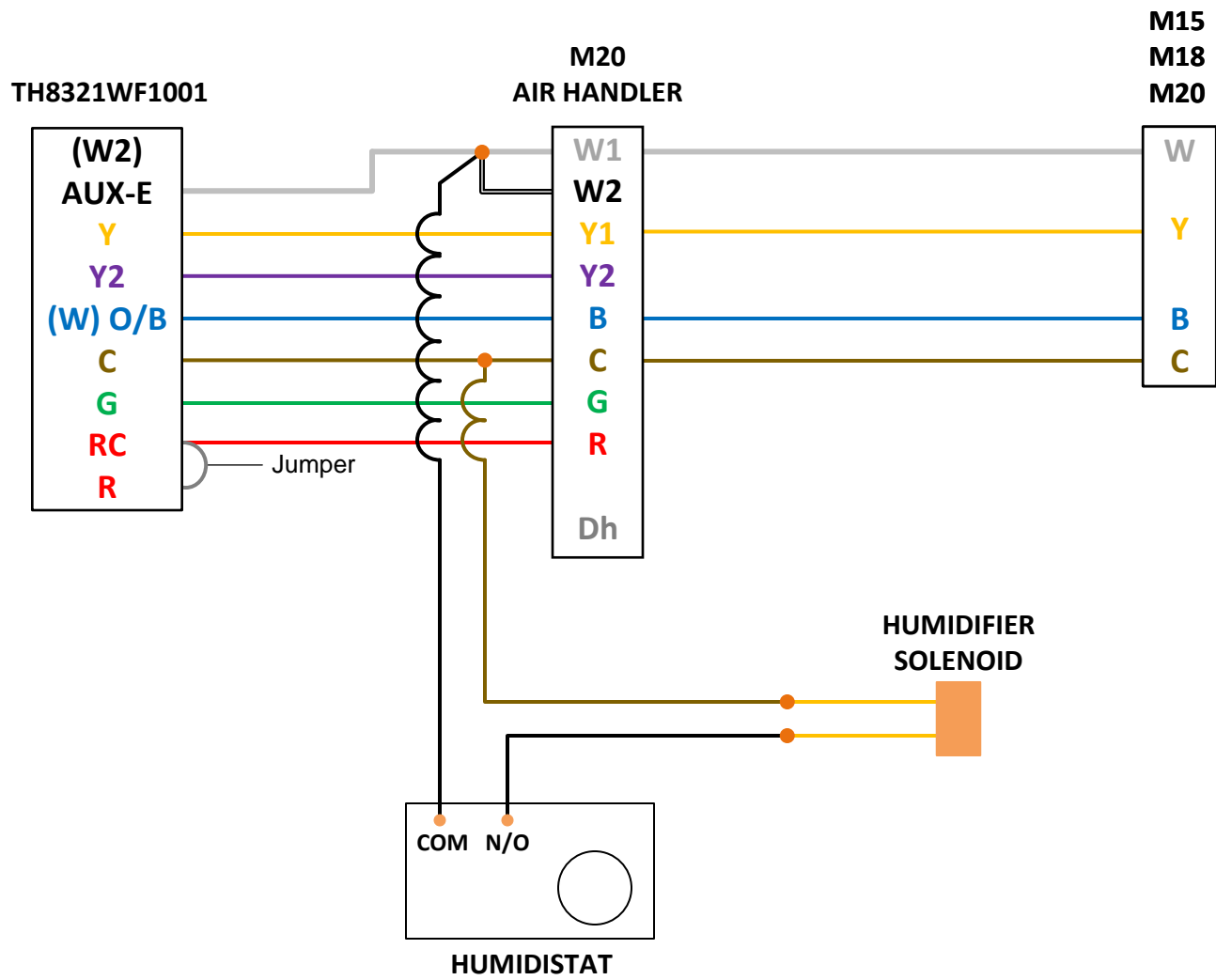


TSS Associates, Inc.

Honeywell

For further assistance, please contact
Honeywell directly for Tech Support

1-800-633-3991



NOTES:

Some form of auxiliary heat, such as electric strip heaters, is highly recommended to be installed.

TSS Associates, Inc.

DESCRIPTION

HONEYWELL VISIONPRO 8000 – BOSCH IDS & M20 AHU – ELECTRIC

DATE: 1/5/2024

PAGE: 2 of 4

PARAMETERS:

- 106 - Outdoor Temp - Set to **Wired/Internet**, *see below if using wired sensor*
 - 200 - Heating System - Set to **Heat Pump**
 - 201 - Heat Equipment - Set to **Air-to-Air Heat Pump**
 - 206 - Reversing Valve (O/B terminal) - Set to **O/B on Heat**
 - 207 - Cool/Compressor Stages - Set to **2**
 - 212 - Backup Heat Type - Set to **Electric** (*this allows both heat pump and electric strip to run simultaneously if needed*)
 - 213 - Backup Heat Stages - Set to **1**
 - 216 - Backup Heat Fan - Set to **Thermostat Controls Fan**
 - 219 - External Fossil Fuel Kit - Set to **No**
 - 300 - System Changeover - Set to **Manual**
 - 301 - Control Options - Set to **Basic Options**
 - 308 - Backup Heat Droop - Set to **5°F**
 - 311 - Upstage Timer for Backup Heat - Set to **Off**
 - 312 - Outdoor Lockout Heat Pump (Balance Point) - Set to **Whatever temperature is desired based upon homeowner comfort and energy costs**
 - 312 - Outdoor Lockout Backup Heat - Set to **Whatever temperature is desired based upon energy costs**
 - 314 - Cool Cycles Per Hour Stage 1 - Set to **1**
 - 314 - Cool Cycles Per Hour Stage 2 - Set to **1**
 - 316 - Backup Heat Cycles Per Hour - Set to **1**
 - 324 - Compressor Off Time - Set to **Off**
 - 409 - Adaptive Intelligent Recovery - Set to **Yes**
- If using wired outdoor sensor:*
- 340 - Remote sensor - Set to **2 = Outdoor sensor for control**
 - 500 - Wired Outdoor Sensor - Set to **Yes**

All other setpoints should be left to Factory Settings unless any optional equipment has been added to system or based upon customer preference

NOTES:

Thermostat needs to be connected to homeowner's Wi-Fi to program Balance Point if not using a wired outdoor sensor. Will need passcode located on back of thermostat to access Installer Options under Settings.

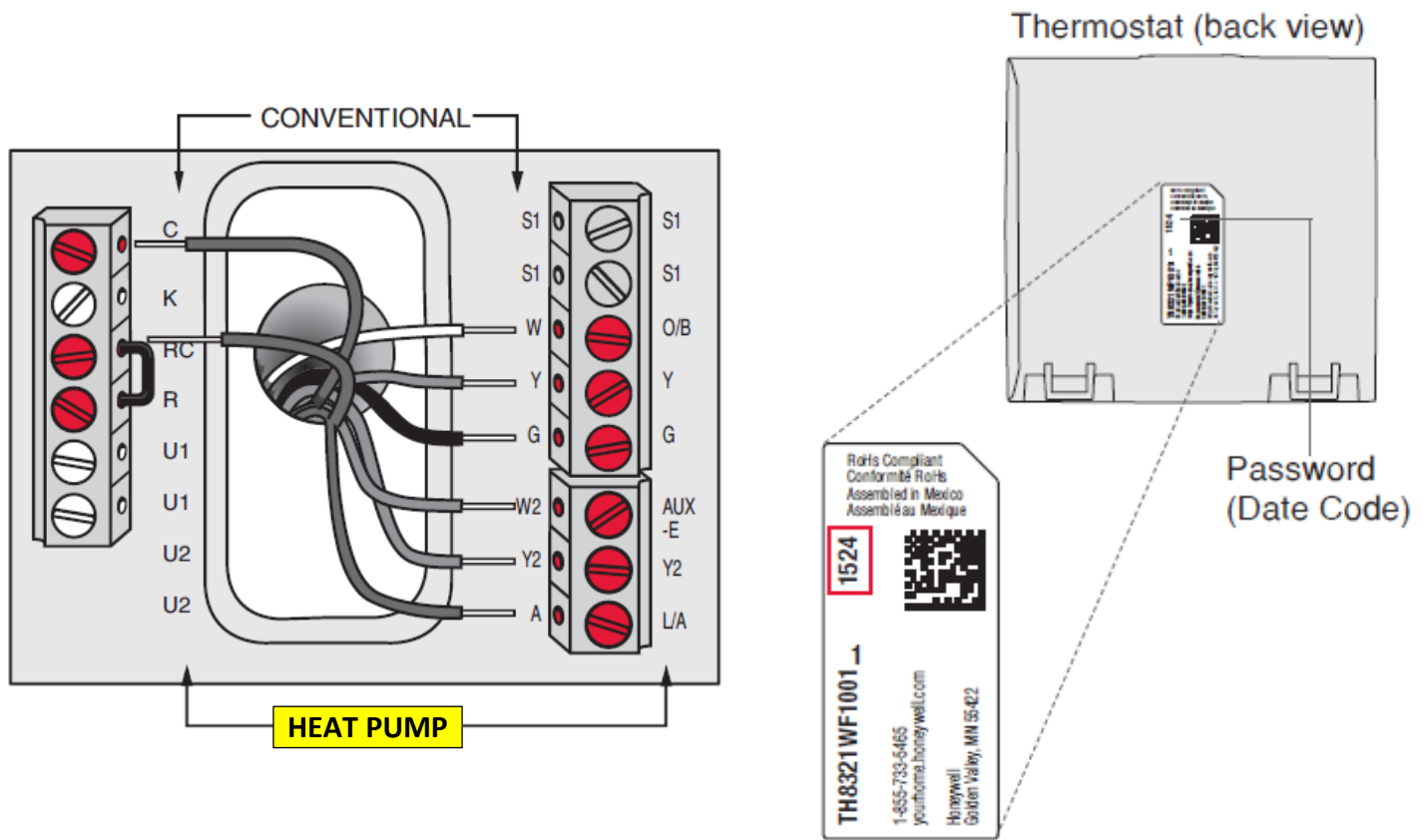
TSS Associates, Inc.

DESCRIPTION

HONEYWELL VISIONPRO 8000 – BOSCH IDS & M20 AHU – ELECTRIC

DATE: 1/5/2024

PAGE: 3 of 4



Terminal Designations

Conventional System		Heat Pump	
Terminal	Description	Terminal	Description
C	Common wire from secondary side of cooling transformer (if 2 transformers).	C	Common wire from secondary side of cooling transformer.
Rc*	Cooling power.	Rc	Cooling power.
R*	Heating power.	R	Heating power.
W	Heat Stage 1	O/B	Changeover valve for heat pumps.
W2	Heat Stage 2	AUX-E	Backup Heat/Emergency Heat
Y	Compressor Stage 1	Y	Compressor Stage 1
Y2	Compressor Stage 2	Y2	Compressor Stage 2
G	Fan Relay	G	Fan Relay
A	Connect to Economizer Module or Lighting Panel (TOD).	L/A	Connect to Compressor Monitor, Zone Panel, Economizer Module or Lighting Panel (TOD).
U1 / U1	Universal relay for humidification, dehumidification, ventilation, or a stage of heating/cooling.	U1 / U1	Universal relay for humidification, dehumidification, ventilation, or a stage of heating/cooling.
S1 / S1	Universal input for a wired indoor, outdoor or discharge sensor.	S1 / S1	Universal input for a wired indoor, outdoor or discharge sensor.
K**	Connect to K on Wire Saver module.	K**	Connect to K on Wire Saver module.

* Remove factory installed jumper for two transformer systems.

** The THP9045A1023 Wire Saver module is used on heat/cool systems when you only have four wires at the thermostat and you need a fifth wire for a common wire. Use the **K** terminal in place of the Y and G terminals on conventional or heat pump systems to provide control of the fan and the compressor through a single wire—the unused wire then becomes your common wire. See THP9045 instructions for more information.

NOTES:

TSS Associates, Inc.

DESCRIPTION

HONEYWELL VISIONPRO 8000 – BOSCH IDS & M20 AHU –
ELECTRIC BACK-UP HEAT

DATE: 1/8/2024

PAGE: 4 of 4