



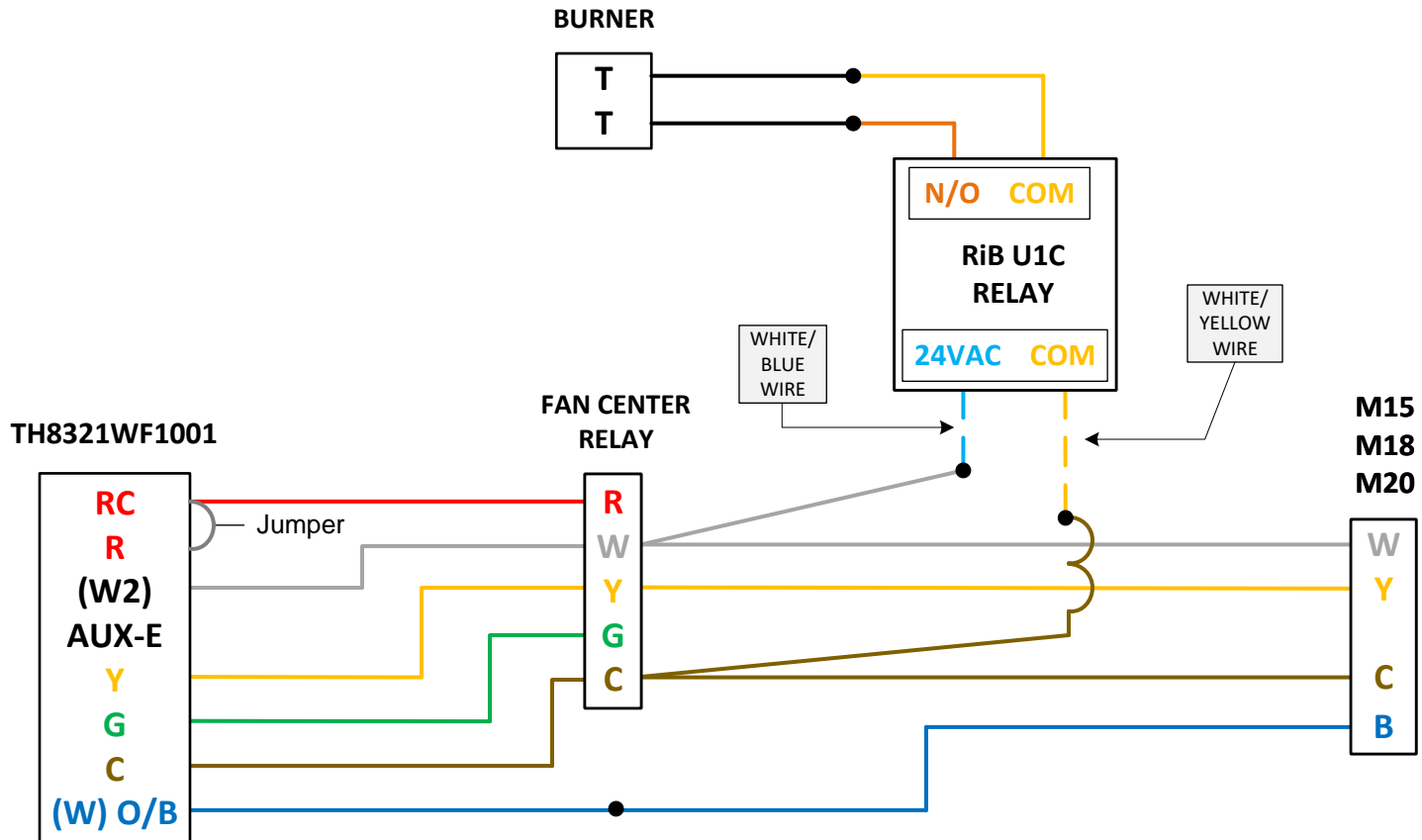
# TSS Associates, Inc.

# Honeywell

For further assistance, please contact  
Honeywell directly for Tech Support

---

1-800-633-3991



NOTES:  
For Oil Furnace applications with a Fan Center Relay.

**TSS Associates, Inc.**

DESCRIPTION  
HONEYWELL VISIONPRO 8000 – BOSCH IDS – OIL FURNACE

DATE: 1/8/2024 PAGE: 2 of 4

**PARAMETERS:**

- |  |   |
|--|---|
| 101 - Application                                  | - <b>Residential</b>  |
| 103 - Thermostat Name                              | - Name thermostat   |
| 104 - Thermostat Type                              | - Set to <b>Non-programmable</b>  |
| 105 - Temperature Scale                            | - <b>Fahrenheit</b>   |
| 106 - Outdoor Temp                                 | - Set to <b>Wired/Internet</b>  |
| 200 - System type                                  | - Set to <b>Heat Pump</b>   |
| 201 - Heat Pump Type                               | - Set to <b>Air-to-Air Heat Pump</b>  |
| 206 - Reversing Valve [O/B terminal]               | - Set to <b>B (O/B on Heat)</b>   |
| 207 - Compressor Stages                            | - Set to <b>1</b>   |
| 211 - Fan Control in Heat                          | - <b>Thermostat Controls Fan</b>  |
| 212 - Backup Heat Type                             | - Set to <b>Gas/Oil</b>   |
| 213 - Backup Heat Stages                           | - Set to <b>1</b>   |
| 219 - External Fossil Fuel Kit                     | - <b>No</b>   |
| 300 - System Changeover                            | - Set to <b>Manual</b>  |
| 301 - Control Options                              | - Set to <b>Advanced</b>  |
| 308 - Backup Heat Droop                            | - Set to <b>3°F</b>   |
| 311 - Upstage Timer for Backup Heat                | - Set to <b>60 minutes</b>  |
| 312 - Outdoor Lockout Heat Pump<br>(Balance Point) | - Set to <b>Whatever is desired based upon homeowner comfort and energy costs</b> |
| 312 - Outdoor Lockout Backup Heat                  | - Set to <b>Whatever temperature is desired based upon energy costs</b>           |
| 314 - Compressor Cycles per Hour<br>Stage 1        | - Set to <b>1</b>   |
| 316 - Backup Heat Stages Per Hour                  | - Set to <b>1</b>   |
| 324 - Compressor Off Time                          | - Set to <b>Off</b>   |

\*\*All other setpoints should be left to Factory Settings unless any optional equipment has been added to system or based upon customer preference\*\*

NOTES:

Need to have thermostat connected to the homeowner's Wi-Fi to be able to set the Balance Point. Also need to have passcode located on back of thermostat to access the Installer Options under Settings.

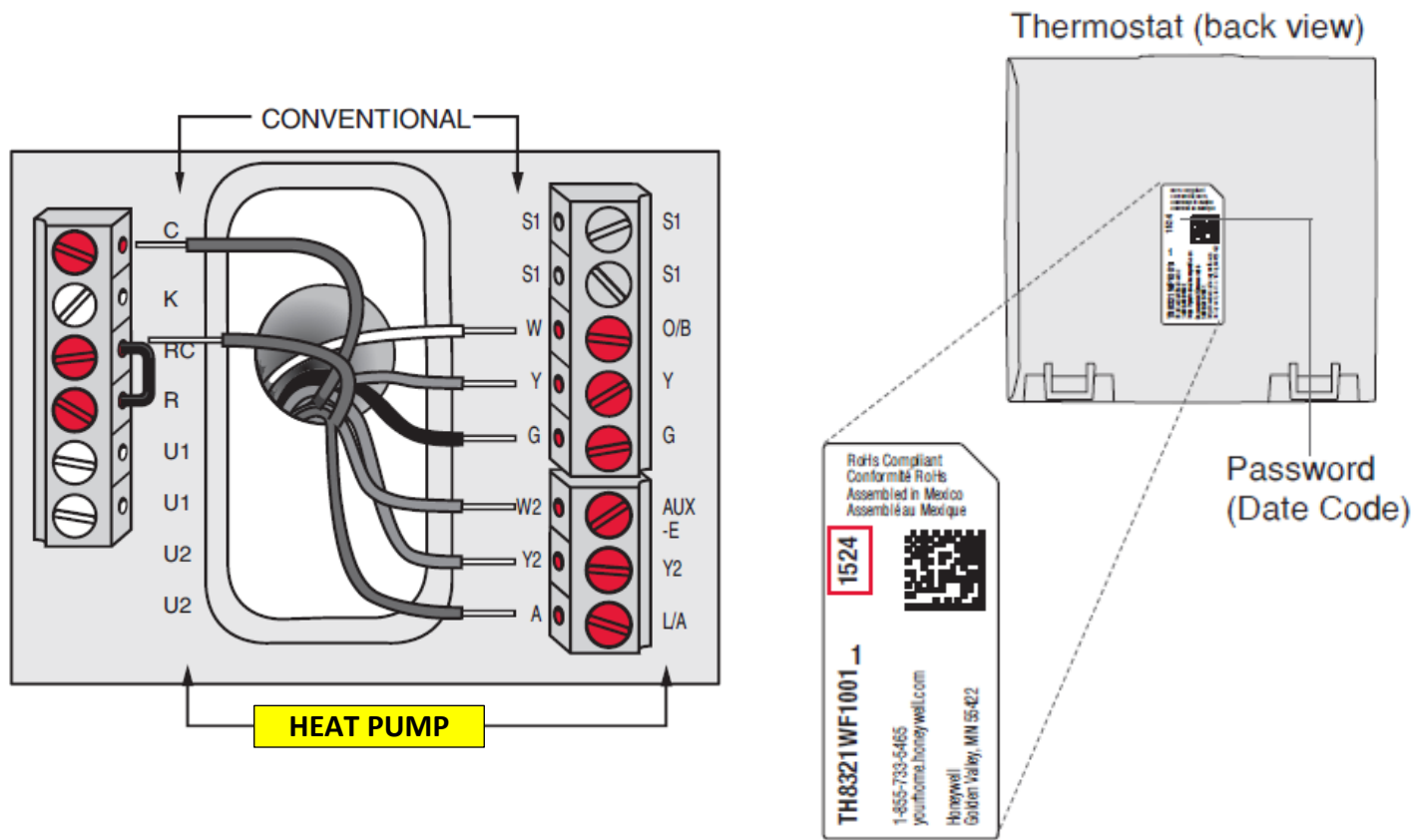
**TSS Associates, Inc.**

DESCRIPTION

HONEYWELL VISIONPRO 8000 – BOSCH **IDS** – OIL FURNACE

DATE: 1/8/2024

PAGE: 3 of 4



### Terminal Designations

Conventional System		Heat Pump	
Terminal	Description	Terminal	Description
C	Common wire from secondary side of cooling transformer (if 2 transformers).	C	Common wire from secondary side of cooling transformer.
Rc*	Cooling power.	Rc	Cooling power.
R*	Heating power.	R	Heating power.
W	Heat Stage 1	O/B	Changeover valve for heat pumps.
W2	Heat Stage 2	AUX-E	Backup Heat/Emergency Heat
Y	Compressor Stage 1	Y	Compressor Stage 1
Y2	Compressor Stage 2	Y2	Compressor Stage 2
G	Fan Relay	G	Fan Relay
A	Connect to Economizer Module or Lighting Panel (TOD).	L/A	Connect to Compressor Monitor, Zone Panel, Economizer Module or Lighting Panel (TOD).
U1 / U1	Universal relay for humidification, dehumidification, ventilation, or a stage of heating/cooling.	U1 / U1	Universal relay for humidification, dehumidification, ventilation, or a stage of heating/cooling.
S1 / S1	Universal input for a wired indoor, outdoor or discharge sensor.	S1 / S1	Universal input for a wired indoor, outdoor or discharge sensor.
K**	Connect to K on Wire Saver module.	K**	Connect to K on Wire Saver module.

\* Remove factory installed jumper for two transformer systems.

\*\* The THP9045A1023 Wire Saver module is used on heat/cool systems when you only have four wires at the thermostat and you need a fifth wire for a common wire. Use the **K terminal** in place of the Y and G terminals on conventional or heat pump systems to provide control of the fan and the compressor through a single wire—the unused wire then becomes your common wire. See THP9045 instructions for more information.

NOTES:

**TSS Associates, Inc.**

DESCRIPTION

HONEYWELL VVISIONPRO 8000 – BOSCH IDS – OIL FURNACE

DATE: 1/8/2024

PAGE: 4 of 4