



TSS Associates, Inc.

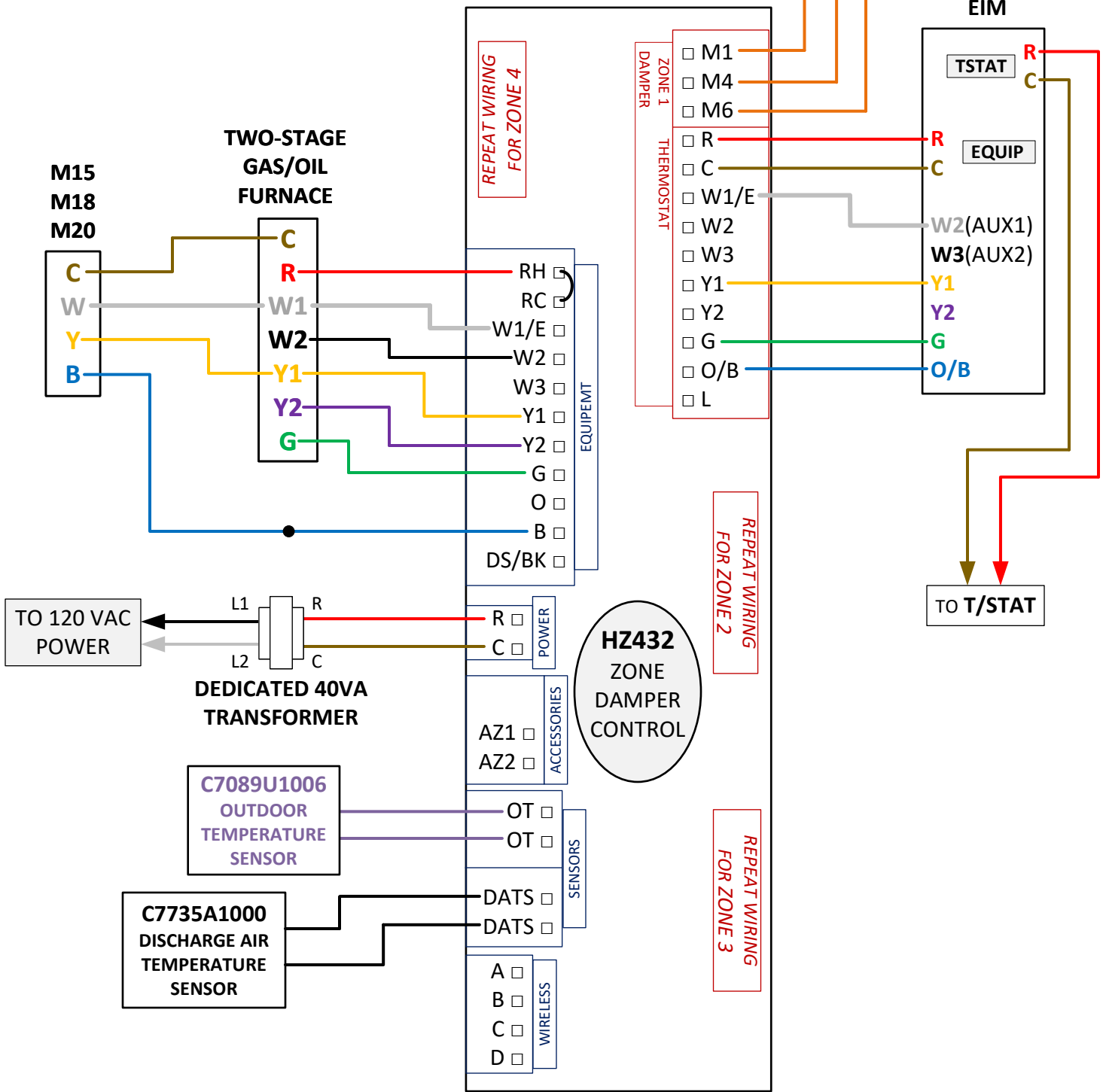
Honeywell

For further assistance, please contact
Honeywell directly for Tech Support

1-800-633-3991

****IF WIRING MULTIPLE DAMPERS IN SERIES ON ONE ZONE, USE A DEDICATED TRANSFORMER AND ISOLATION RELAY AT EACH ZONE**

COMMON
OPEN **DAMPER**
CLOSED



NOTES:
- For Dual Fuel Applications -

TSS Associates, Inc.

DESCRIPTION
HONEYWELL HZ432 & 8000 REDLINK – BOSCH IDS – GAS/OIL FURNACE

DATE: 1/8/2024

PAGE: 2 of 3

PARAMETERS:

- 101 - Application - **Residential**
- 103 - Thermostat Name - Set desired thermostat name
- 104 - Thermostat Type - **Non-programmable**
- 105 - Temperature Scale - **Fahrenheit**
- 106 - Outdoor Air Sensor - **No**
- 200 - Heating System - **Heat Pump**
- 201 - Heating Equipment - **Air-to-Air Heat Pump**
- 206 - Reversing Valve - **B (O/B on Heat)**
- 207 - Compressor Stages - **1**
- 207 - Backup Heat Stages - **1**
- 211 - Fan Control in Heat - **Equip Controls Fan**
- 218 - Backup Heat Type - **Gas/Oil**
- 219 - External Fossil Fuel Kit - **No**
- 300 - System Changeover - **Manual**
- 301 - Control Options - **Basic**
- 308 - Backup Heat Droop - **3°F**
- 311 - Upstage Timer for Backup Heat - **Off**
- 314 - Compressor Cycles per Hour - **1**
Stage 1
- 316 - Backup Heat Stages Per Hour - **1**
- 324 - Compressor Off Time - **Off**

All other setpoints should be left to Factory Settings unless any optional equipment has been added to system or based upon customer preference

ZONE CONTROL PARAMETERS:

- SYSTEM TYPE: **[HEATPUMP]**
- DUAL FUEL OPER: **[YES]**
- COMPRESSOR STAGES: **[2]**
- DUAL FUEL OPERATION: **[YES]**
- DFUEL HT STAGES: **[2]**
- RF ENABLED: **[NO]** ***THIS OPTION IS ONLY USED IF YOU ARE INSTALLING WIRELESS CONTROLLERS***
- ZONES INSTALLED: **SELECT APPROPRIATE NUMBER OF ZONES BEING USED**
- ZONE1 TSTAT TYPE: **[HTPUMP-B]** → REPEAT THIS SELECTION FOR EACH ZONE
- STAGE 2 CONTROL: **[% ZONES]**
- STAGE 3 CONTROL: **[TIMER]**
- ADVANCED CONFIG? **[YES]** → HEAT FAN CONTROL: **[HVAC]**
- STAGE 3 TIMER: **[60]**
- DISCHARGE SENSOR: **[YES]**
- DAT HIGH LIMIT: **[145]**
- MSTG OT LOCKOUT: **[YES]**
- OT BALANCE TEMP: **[WHATEVER TEMPERATURE IS DESIRED]**
- SAVE CHANGES? **[YES]**

NOTES:

TSS Associates, Inc.

DESCRIPTION

HONEYWELL HZ432 & 8000 REDLINK – BOSCH IDS – GAS/OIL FURNACE

DATE: 1/8/2024

PAGE: 3 of 3