



TSS Associates, Inc.

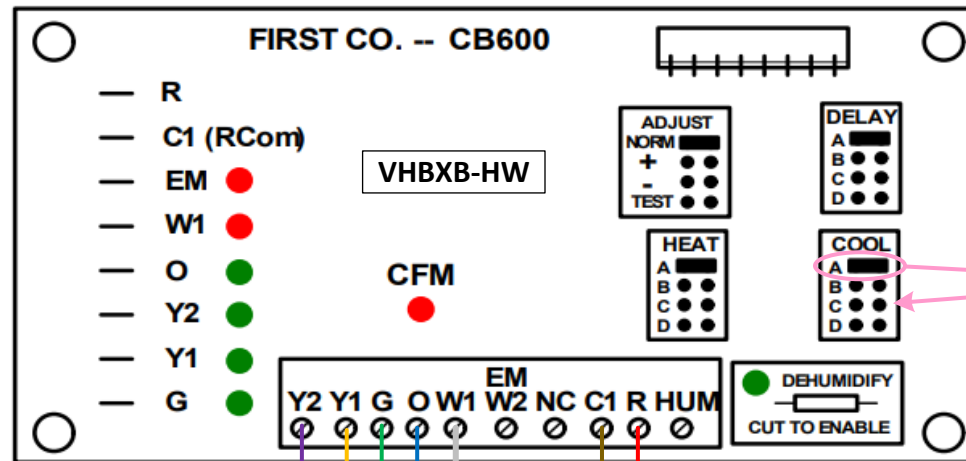
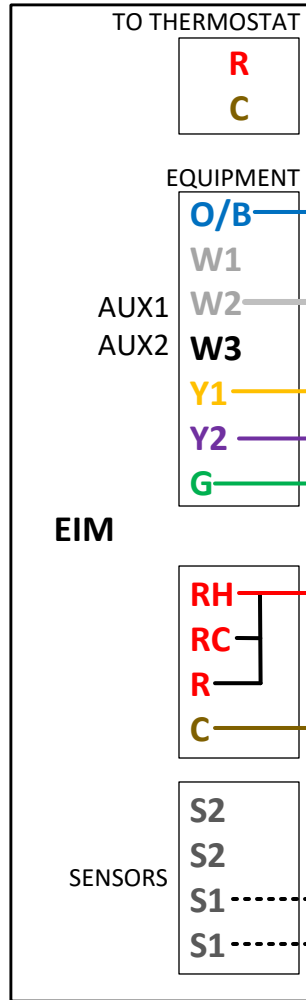
Honeywell

For further assistance, please contact
Honeywell directly for Tech Support

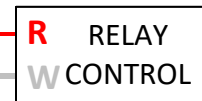
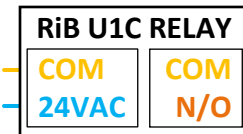
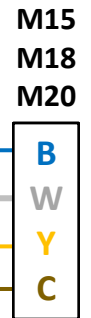
1-800-633-3991

© Copyright 2023 TSS Associates, Inc. All Rights Reserved. No part of this document may be modified or reproduced without consent from TSS Associates, Inc. This document is for informational purposes only. For additional assistance, please contact Tech Support.

**HONEYWELL
THX321WFS3001W**



Set to C



NOTES:

TSS Associates, Inc.

DESCRIPTION

HONEYWELL T10 PLUS – BOSCH IDS – FIRST CO. AHU

DATE: 1/8/2024

PAGE: 2 of 3

PARAMETERS:

Upon initial setup, connect thermostat with EIM module, then set parameters in Installer Setup using code on back of thermostat:

- 1060 - Outdoor Temp - Factory set to **Wireless** when using supplied outdoor sensor
Set to **Internet** when using Wi-Fi
Set to **Wired** when using wired outdoor sensor
- 2000 - System Type - Set to **Heat Pump**
- 2010 - Equipment Type - Set to **Air-to-Air**
- 2060 - Reversing Valve - Set to **B (O/B on Heat)**

Stages

- 2070 - Compressor Stages - Set to **2**
- 2070 - Backup Heat Stages - Set to **1**
- 2180 - Backup Heat Type - Set to **Radiant Hot Water**
- 3000 - System Changeover - Set to **Manual**
- 3018 - Advanced Settings - Set to **Advanced**

Staging Control

- 3030 - Compressor Cool Differential Stage 2 - Set to **1°F**
- 3060 - Compressor Heat Differential Stage 2 - Set to **1°F**
- 3090 - Backup Heat Differential - Set to **3°F**
- 3110 - Backup Heat Upstage Timer - Set to **60 minutes**

Equipment Lockouts

- 3120 - Compressor Lockout/Balance Point - Set to **Whatever temperature is desired based upon homeowner comfort and energy costs**
- 3120 - Backup Heat Lockout - Set to **Whatever temperature is desired based upon energy costs**

Cycle Rates

- 3140 - Compressor CPH Stage 1 - Set to **1**
- 3140 - Compressor CPH Stage 2 - Set to **1**
- 3150 - Backup Heat CPH Stage 1 - Set to **1**

Temperature Control

- 3240 - Compressor Off Time - Set to **Off**
- 4090 - Adaptive Recovery Control - Set to **Yes**

*****All other setpoints should be left to Factory Settings unless any optional equipment has been added to system or based upon customer preference. For more assistance with these additional parameters, please contact your local Honeywell rep or Honeywell directly*****

NOTES:

TSS Associates, Inc.

DESCRIPTION
HONEYWELL T10 PLUS – BOSCH IDS – FIRST CO. AHU

DATE: 1/8/2024

PAGE: 3 of 3