



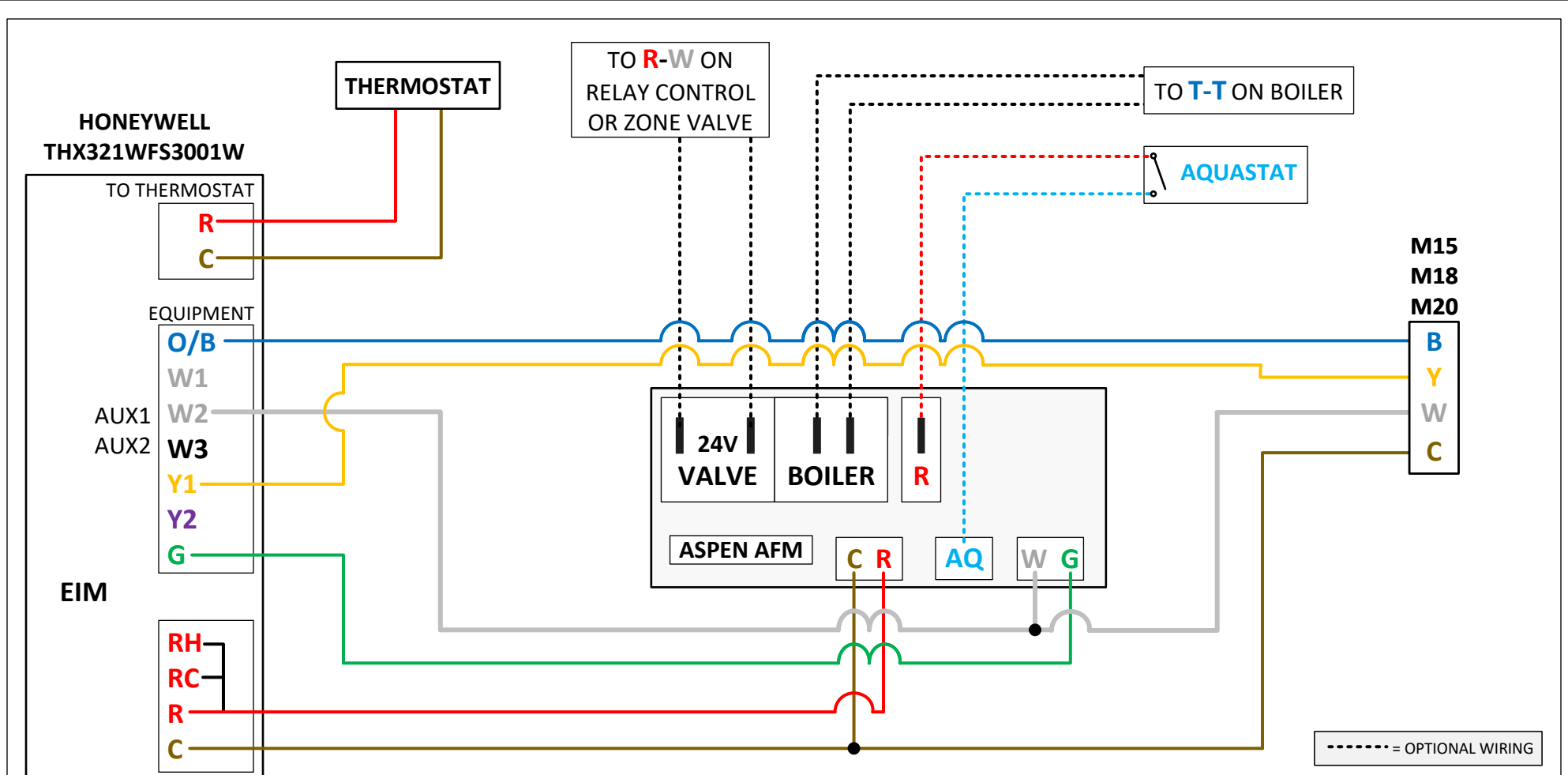
TSS Associates, Inc.

Honeywell

For further assistance, please contact
Honeywell directly for Tech Support

1-800-633-3991

© Copyright 2023 TSS Associates, Inc. All Rights Reserved. No part of this document may be modified or reproduced without consent from TSS Associates, Inc. This document is for informational purposes only. For additional assistance, please contact Tech Support.



..... = OPTIONAL WIRING

NOTES:

- Aquastat (AQ) jumper must always be set to 'OFF' unless using an aquastat
- > When present, blower will activate based on AQ temp settings
- Units with pump: Pump energized on call for heat
- Units without pump: Connect boiler to T-T (normally open dry contacts)
- > If using zone valve or relay control, move T-T (2 black) wires to 'VALVE' (normally open wet contacts)

NOTES:

If not using Internet or the supplied wireless outdoor sensor, part number C7089U1006 Wired Outdoor Sensor is required. Wire into S3 terminals and set Parameter 1060 to Wired

TSS Associates, Inc.

DESCRIPTION HONEYWEL T10 PLUS – BOSCH IDS – ASPEN HYDROCOIL	
DATE: 1/8/2024	PAGE: 2 of 3

PARAMETERS:

Upon initial setup, connect thermostat with EIM module, then set parameters in Installer Setup using code on back of thermostat:

1060 - Outdoor Temp - Factory set to **Wireless** when using supplied outdoor sensor
Set to **Internet** when using Wi-Fi
Set to **Wired** when using wired outdoor sensor

2000 - System Type - Set to **Heat Pump**
2010 - Equipment Type - Set to **Air-to-Air**
2060 - Reversing Valve - Set to **B (O/B on Heat)**

Stages

2070 - Compressor Stages - Set to **1**
2070 - Backup Heat Stages - Set to **1**
2180 - Backup Heat Type - Set to **Radiant Hot Water**
3000 - System Changeover - Set to **Manual**
3018 - Advanced Settings - Set to **Advanced**

Staging Control

3090 - Backup Heat Differential - Set to **3°F**
3110 - Backup Heat Upstage Timer - Set to **60 minutes**

Equipment Lockouts

3120 - Compressor Lockout/Balance Point - Set to **Whatever temperature is desired based upon homeowner comfort and energy costs**
3120 - Backup Heat Lockout - Set to **Whatever temperature is desired based upon energy costs**

Cycle Rates

3140 - Compressor CPH Stage 1 - Set to **1**
3150 - Backup Heat CPH Stage 1 - Set to **1**

Temperature Control

3240 - Compressor Off Time - Set to **Off**
4090 - Adaptive Recovery Control - Set to **Yes**

*****All other setpoints should be left to Factory Settings unless any optional equipment has been added to system or based upon customer preference. For more assistance with these additional parameters, please contact your local Honeywell rep or Honeywell directly*****

NOTES:

TSS Associates, Inc.

DESCRIPTION

HONEYWELL T10 PLUS – BOSCH **IDS** – ASPEN HYDROCOIL

DATE:

1/8/2024

PAGE:

3

of

3