



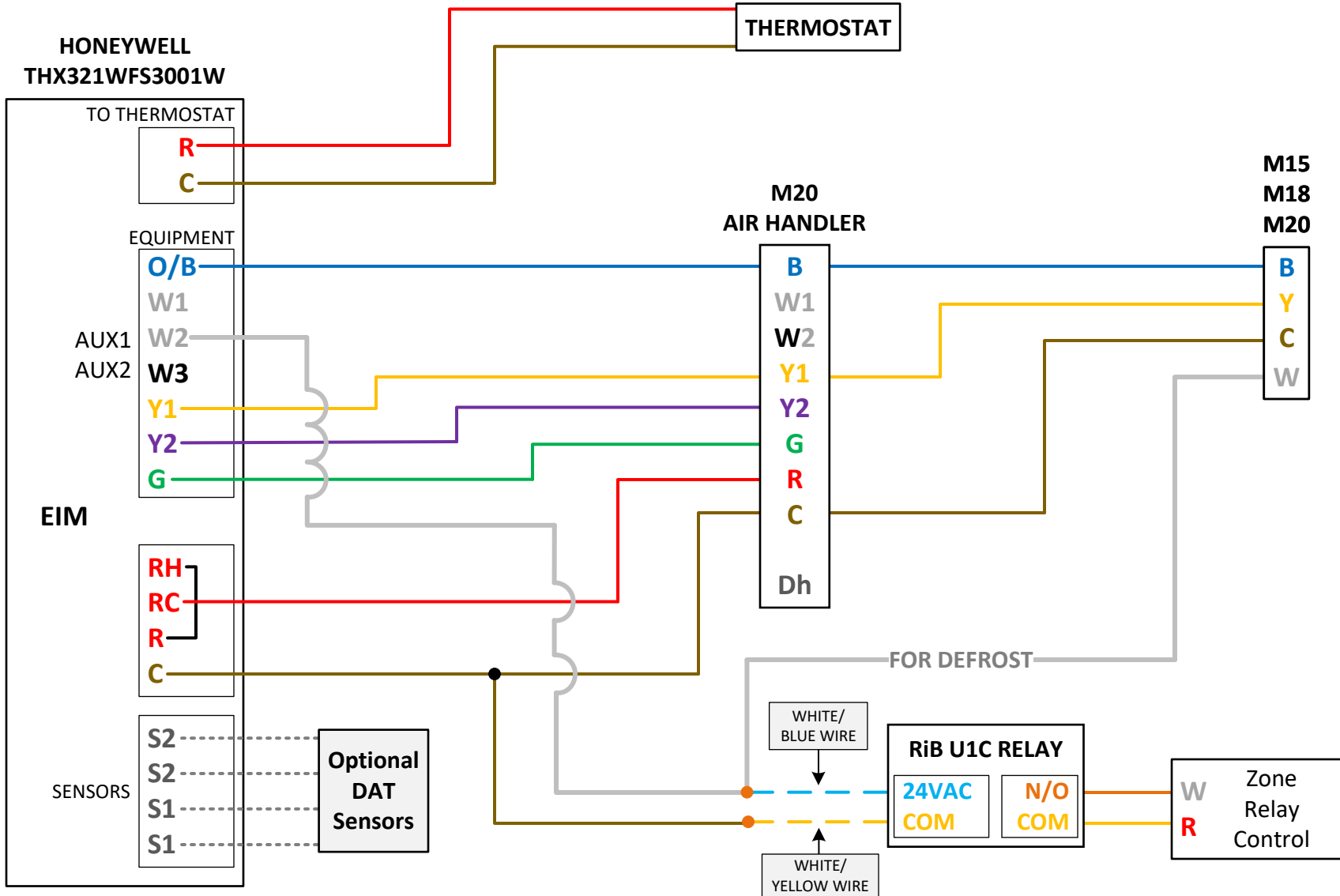
TSS Associates, Inc.

Honeywell

For further assistance, please contact
Honeywell directly for Tech Support

1-800-633-3991

----- = OPTIONAL WIRING



NOTES:

For applications with a boiler and baseboard, radiators, or radiant as auxiliary heat.
IF SETTING THE BALANCE POINT BELOW 40°F.

If not using Internet or the supplied wireless outdoor sensor, part number C7089U1006 Wired Outdoor Sensor is required.
 Wire into S3 terminals and set Parameter 1060 to Wired

TSS Associates, Inc.

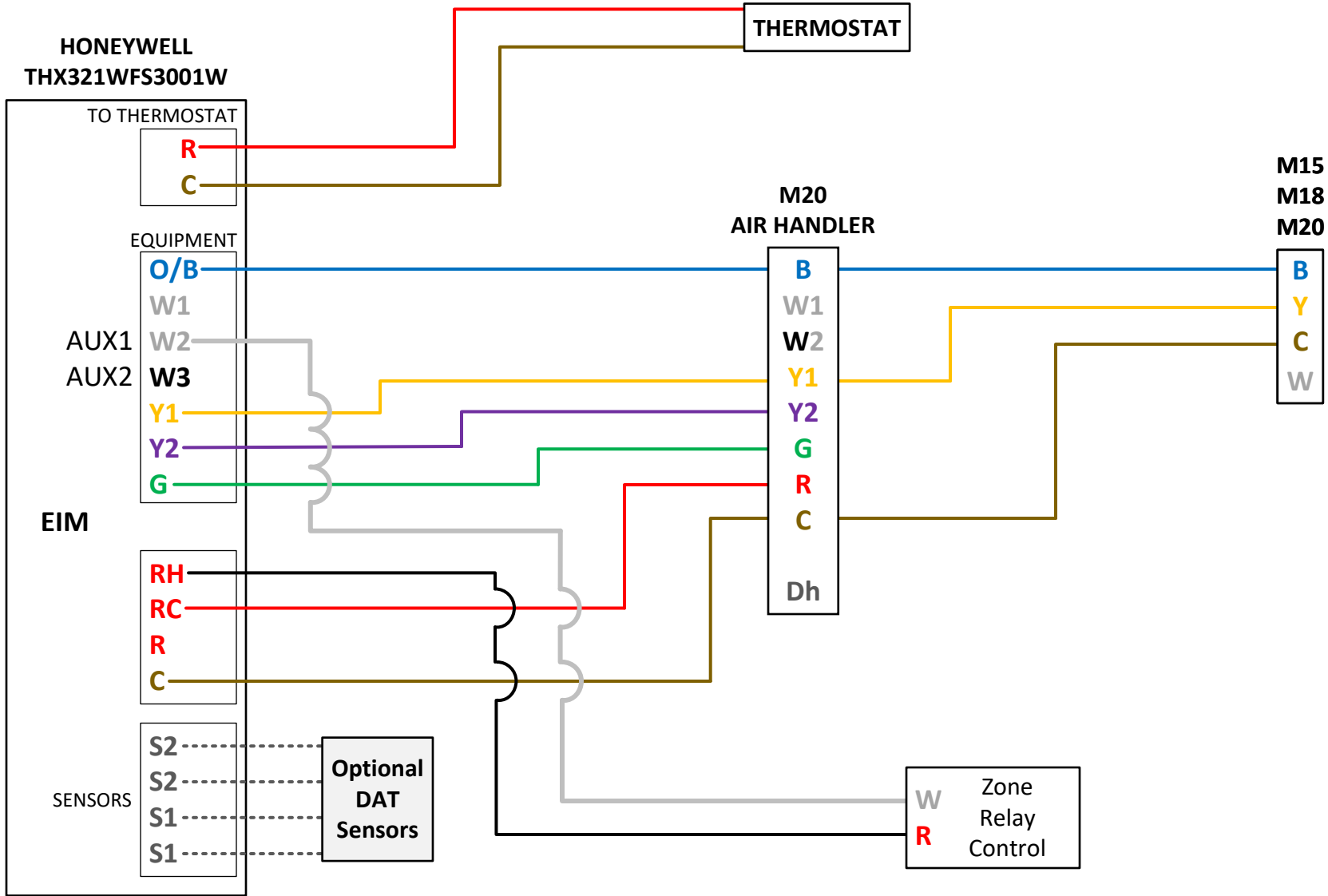
DESCRIPTION

HONEYWELL T10 PLUS – BOSCH IDS – M20 AHU – BOILER

DATE: 1/8/2024

PAGE: 2 of 4

----- = OPTIONAL WIRING



NOTES:

For applications with a boiler and baseboard, radiators, or radiant as auxiliary heat.
IF SETTING THE BALANCE POINT TO 40°F OR HIGHER.

If not using Internet or the supplied wireless outdoor sensor, part number C7089U1006 Wired Outdoor Sensor is required.
 Wire into S3 terminals and set Parameter 1060 to Wired

TSS Associates, Inc.

DESCRIPTION

HONEYWELL T10 PLUS – BOSCH IDS – M20 AHU – BOILER

DATE: 1/8/2024

PAGE: 3 of 4

PARAMETERS:

Upon initial setup, connect thermostat with EIM module, then set parameters in Installer Setup using code on back of thermostat:

- 1060 - Outdoor Temp - Factory set to **Wireless** when using supplied outdoor sensor
Set to **Internet** when using Wi-Fi
Set to **Wired** when using wired outdoor sensor
- 2000 - System Type - Set to **Heat Pump**
- 2010 - Equipment Type - Set to **Air-to-Air**
- 2060 - Reversing Valve - Set to **B (O/B on Heat)**

Stages

- 2070 - Compressor Stages - Set to **2**
- 2070 - Backup Heat Stages - Set to **1**
- 2180 - Backup Heat Type - Set to **Radiant Hot Water**
- 3000 - System Changeover - Set to **Manual**
- 3018 - Advanced Settings - Set to **Advanced**

Staging Control

- 3030 - Compressor Cool Differential Stage 2 - Set to **1°F**
- 3060 - Compressor Heat Differential Stage 2 - Set to **1°F**
- 3090 - Backup Heat Differential - Set to **3°F**
- 3110 - Backup Heat Upstage Timer - Set to **60 minutes**

Equipment Lockouts

- 3120 - Compressor Lockout/Balance Point - Set to **Whatever temperature is desired based upon homeowner comfort and energy costs**
- 3120 - Backup Heat Lockout - Set to **Whatever temperature is desired based upon energy costs**

Cycle Rates

- 3140 - Compressor CPH Stage 1 - Set to **1**
- 3140 - Compressor CPH Stage 2 - Set to **1**
- 3150 - Backup Heat CPH Stage 1 - Set to **1**

Temperature Control

- 3240 - Compressor Off Time - Set to **Off**
- 4090 - Adaptive Recovery Control - Set to **Yes**

*****All other setpoints should be left to Factory Settings unless any optional equipment has been added to system or based upon customer preference. For more assistance with these additional parameters, please contact your local Honeywell rep or Honeywell directly*****

NOTES:

TSS Associates, Inc.

DESCRIPTION

HONEYWELL T10 PLUS – BOSCH **IDS** – M20 AHU – BOILER

DATE:

1/8/2024

PAGE:

4

of

4