



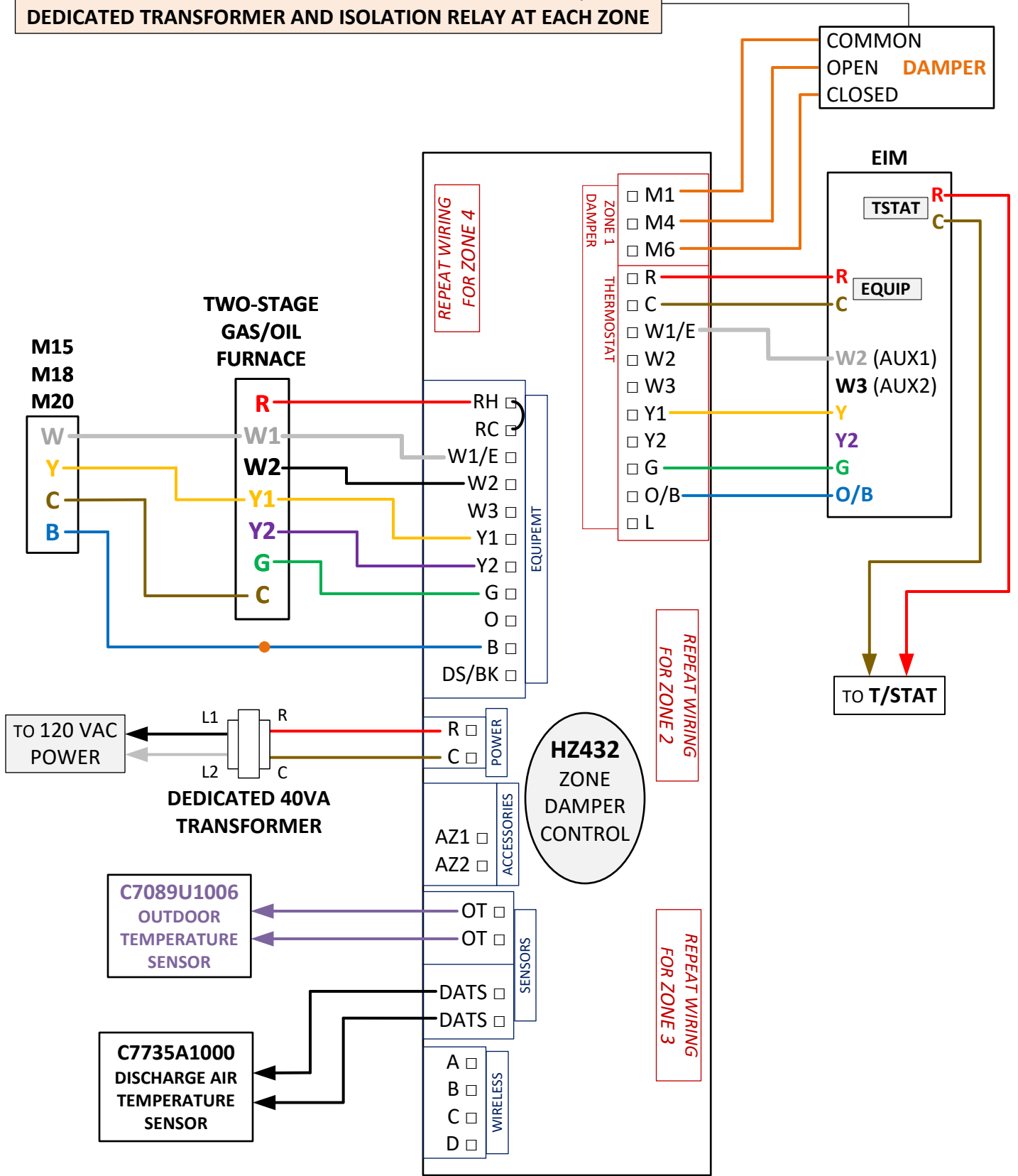
TSS Associates, Inc.

Honeywell

For further assistance, please contact
Honeywell directly for Tech Support

1-800-633-3991

****IF WIRING MULTIPLE DAMPERS IN SERIES ON ONE ZONE, USE A DEDICATED TRANSFORMER AND ISOLATION RELAY AT EACH ZONE**



NOTES:

- For Dual Fuel Applications -

TSS Associates, Inc.

DESCRIPTION

HONEYWELL T10 PLUS & HZ432 – BOSCH IDS – FURNACE

DATE:

1/8/2024

PAGE:

2 of 3

PARAMETERS:

Upon initial setup, connect thermostat with EIM module, then set parameters in Installer Setup using code on back of thermostat:

- 1060 - Outdoor Temp - Set to **None**
- 2000 - System Type - Set to **Heat Pump**
- 2010 - Equipment Type - Set to **Air-to-Air**
- 2060 - Reversing Valve - Set to **B (O/B on Heat)**
- Stages*
- 2070 - Compressor Stages - Set to **1**
- 2070 - Backup Heat Stages - Set to **1**
- 2180 - Backup Heat Type - Set to **High-Efficiency Gas Furnace**
- 3000 - System Changeover - Set to **Manual**
- Staging Control*
- 3090 - Backup Heat Differential - Set to **3°F**
- 3110 - Backup Heat Upstage Timer - Set to **Off**
- Equipment Lockouts*
- 3120 - Compressor Lockout/Balance Point - Set to **Off**
- 3120 - Backup Heat Lockout - Set to **Off**
- Cycle Rates*
- 3140 - Compressor CPH - Set to **1**
- 3160 - Backup Heat CPH - Set to **1**
- Temperature Control*
- 3240 - Compressor Off Time - Set to **Off**
- 4090 - Adaptive Recovery Control - Set to **Yes**

All other setpoints should be left to Factory Settings unless any optional equipment has been added to system or based upon customer preference

ZONE CONTROL PARAMETERS:

- SYSTEM TYPE: **[HEATPUMP]**
- DUAL FUEL OPER: **[YES]**
- COMPRESSOR STAGES: **[2]**
- DFUEL HT STAGES: **[2]**
- RF ENABLED: **[NO]** ***THIS OPTION IS ONLY USED IF YOU ARE INSTALLING WIRELESS CONTROLLERS***
- ZONES INSTALLED: **SELECT APPROPRIATE NUMBER OF ZONES BEING USED**
- ZONE1 TSTAT TYPE: **[HTPUMP-B]** → *REPEAT THIS SELECTION FOR EACH ZONE*
- STAGE 2 CONTROL: **[% ZONES]**
- STAGE 3 CONTROL: **[TIMER]**
- ADVANCED CONFIG? **[YES]** → HEAT FAN CONTROL: **[HVAC]**
- STAGE 3 TIMER: **[60]**
- DISCHARGE SENSOR: **[YES]**
- DAT HIGH LIMIT: **[145]**
- MSTG OT LOCKOUT: **[YES]**
- OT BALANCE TEMP: **[WHATEVER TEMPERATURE IS DESIRED]**
- SAVE CHANGES? **[YES]**

NOTES:

TSS Associates, Inc.

DESCRIPTION

HONEYWELL T10 PLUS & HZ432 – BOSCH **IDS** – FURNACE

DATE: 1/8/2024

PAGE: 3 of 3