



TSS Associates, Inc.

Honeywell

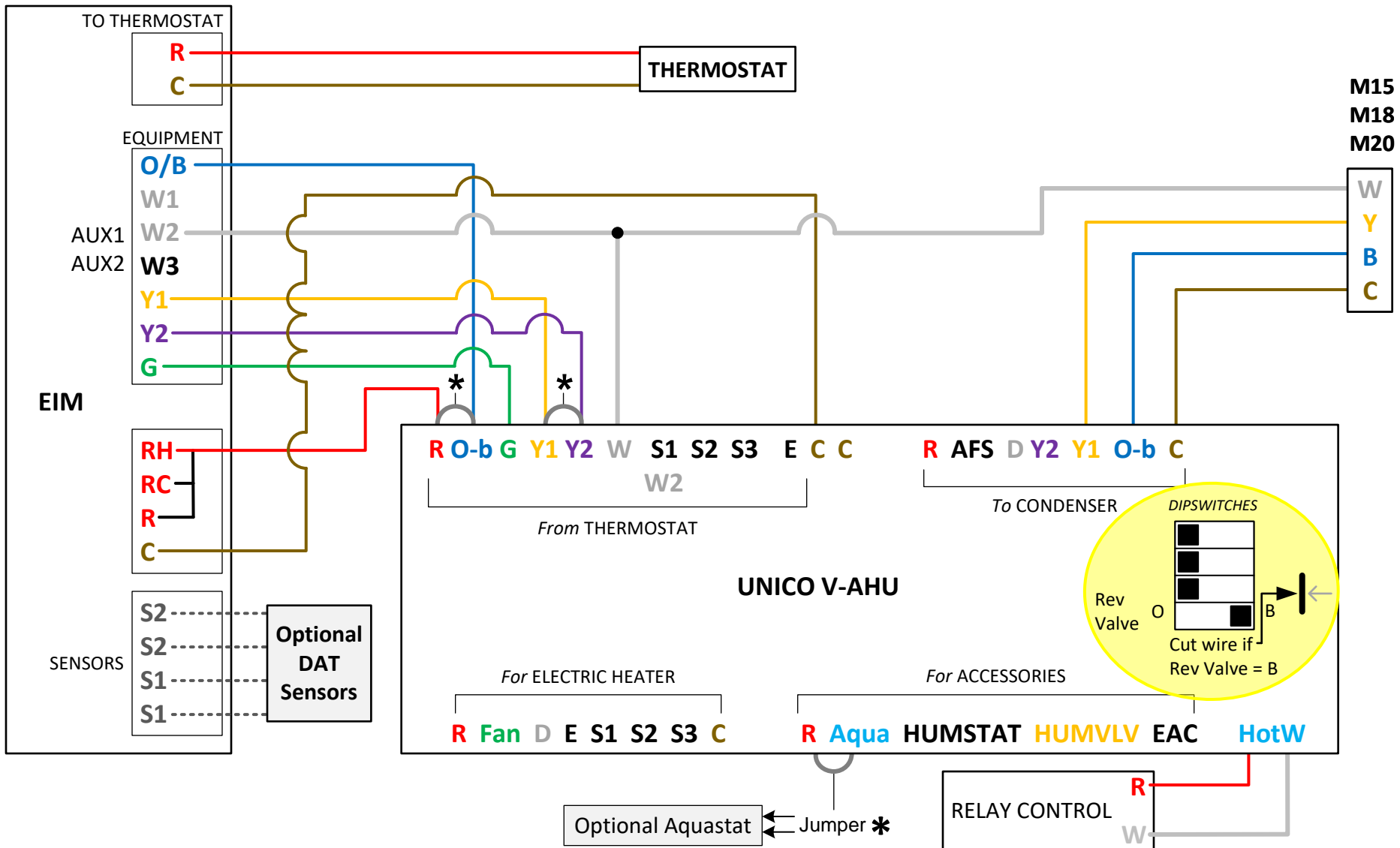
For further assistance, please contact
Honeywell directly for Tech Support

1-800-633-3991

© Copyright 2023 TSS Associates, Inc. All Rights Reserved. No part of this document may be modified or reproduced without consent from TSS Associates, Inc. This document is for informational purposes only. For additional assistance, please contact Tech Support.

**HONEYWELL
THX321WFS3001W**

----- = OPTIONAL WIRING



NOTES:

- * = (1) **MUST** remove Jumper between **R** & **O-b**
- (2) Remove Jumper between **Y1** & **Y2**
- (3) Remove Jumper from **R** & **Aqua** IF an external Aquastat is installed and is desired to supplement control of **HotW** temperature

TSS Associates, Inc.

DESCRIPTION
HONEYWELL T10 PLUS – BOSCH IDS – UNICO AHU

DATE: 1/8/2024 PAGE: 2 of 3

PARAMETERS:

Upon initial setup, connect thermostat with EIM module, then set parameters in Installer Setup using code on back of thermostat:

1060 - Outdoor Temp - Factory set to **Wireless** when using supplied outdoor sensor
Set to **Internet** when using Wi-Fi
Set to **Wired** when using wired outdoor sensor

2000 - System Type - Set to **Heat Pump**
2010 - Equipment Type - Set to **Air-to-Air**
2060 - Reversing Valve - Set to **B (O/B on Heat)**

Stages

2070 - Compressor Stages - Set to **2**
2070 - Backup Heat Stages - Set to **1**
2180 - Backup Heat Type - Set to **Radiant Hot Water**
3000 - System Changeover - Set to **Manual**
3018 - Advanced Settings - Set to **Advanced**

Staging Control

3030 - Compressor Cool Differential Stage 2 - Set to **1°F**
3060 - Compressor Heat Differential Stage 2 - Set to **1°F**
3090 - Backup Heat Differential - Set to **3°F**
3110 - Backup Heat Upstage Timer - Set to **60 minutes**

Equipment Lockouts

3120 - Compressor Lockout/Balance Point - Set to **Whatever temperature is desired based upon homeowner comfort and energy costs**
3120 - Backup Heat Lockout - Set to **Whatever temperature is desired based upon energy costs**

Cycle Rates

3140 - Compressor CPH Stage 1 - Set to **1**
3140 - Compressor CPH Stage 2 - Set to **1**
3150 - Backup Heat CPH Stage 1 - Set to **1**

Temperature Control

3240 - Compressor Off Time - Set to **Off**
4090 - Adaptive Recovery Control - Set to **Yes**

*****All other setpoints should be left to Factory Settings unless any optional equipment has been added to system or based upon customer preference. For more assistance with these additional parameters, please contact your local Honeywell rep or Honeywell directly*****

NOTES:

TSS Associates, Inc.

DESCRIPTION

HONEYWELL T10 PLUS – BOSCH IDS – UNICO AHU

DATE: 1/8/2024

PAGE: 3 of 3