

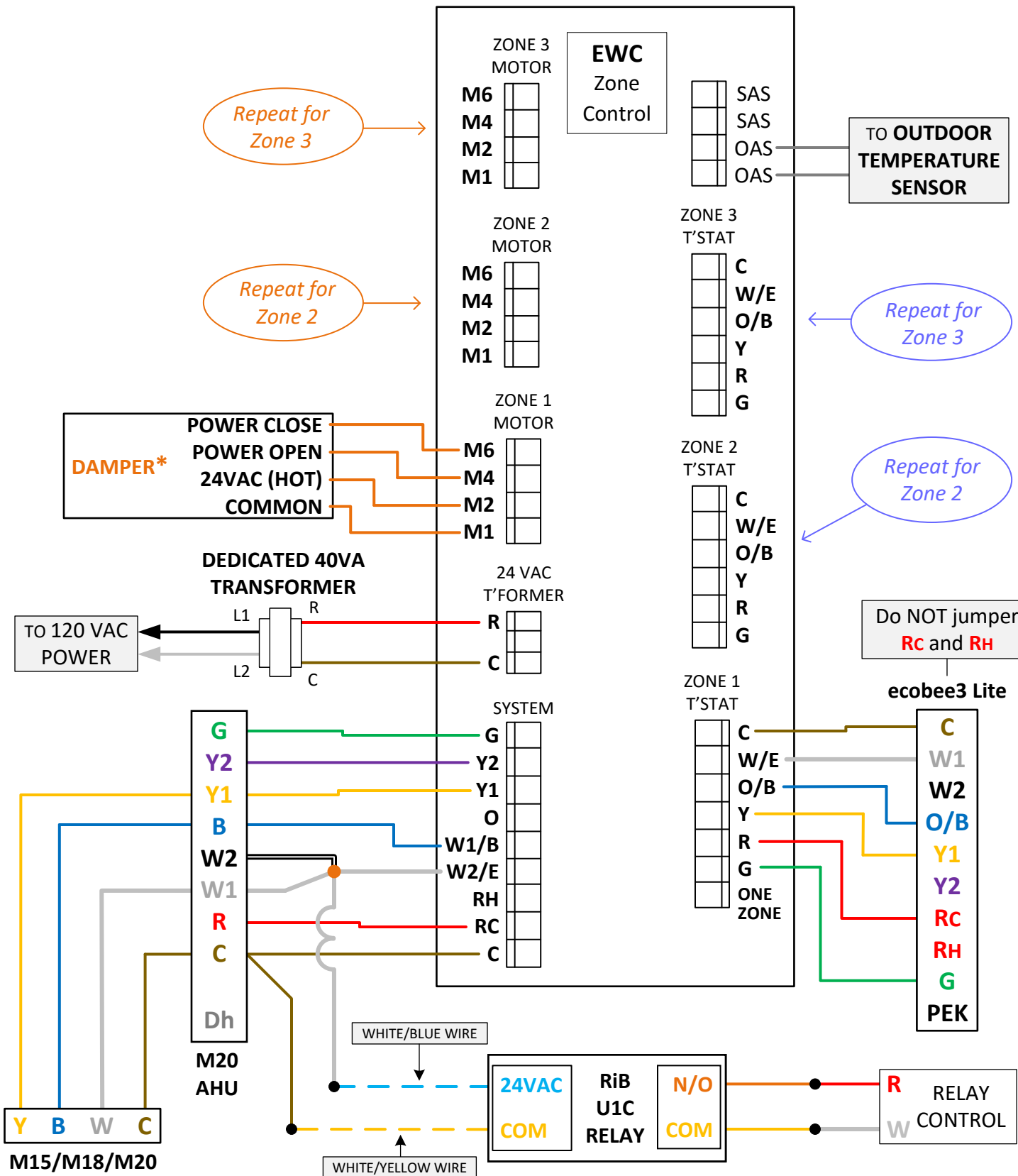


TSS Associates, Inc.



For further assistance, please contact
Ecobee directly for Tech Support

1-877-932-6233



NOTES:

*If powering more than one damper per zone, a dedicated transformer with isolation relay is required at each zone. Follow the directions in the EWC Installation and Operation Manual.

TSS Associates, Inc.

DESCRIPTION

ECOBEE 3 LITE – BOSCH IDS – M20 AHU – HYDRONIC COIL – EWC BMP3000

DATE: 2/6/2024

PAGE: 2 of 3

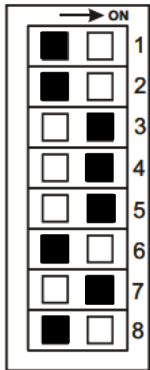
PARAMETERS:

- >> Transformer > **YES, ONLY RC IS CONNECTED**
- >> Configuration > Make sure highlighted icons correspond with wires installed
- >> Equipment > **HEAT PUMP > AIR TO AIR**
- >> O/B Reversing Valve > **ON HEAT**
- >> Allow Heat Pump and Aux Heat to run simultaneously > **ENABLE**
- >> Compressor Minimum Outdoor Temperature > **DISABLE**
- >> Type of heating > **FURNACE**
- >> How do you want your fan to be controlled > **BY THERMOSTAT**

↳ **MAIN MENU > SETTINGS > INSTALLATION SETTINGS (ADVANCED OPTIONS) > THRESHOLDS:**

- >> Threshold Staging > **MANUAL**
- >> Auto Heat/Cool > **DISABLE**
- >> Compressor Stage 2 Temperature Delta > **1°F**
- >> Compressor Reverse Staging > **DISABLE**
- >> Compressor Stage 1 Max Runtime > **AUTO** (factory default, adjust if receiving many "Aux heat running" alerts)
- >> Aux Heat Max Outdoor Temperature > **WHATEVER TEMPERATURE IS DESIRED BASED UPON ENERGY COSTS**
- >> Compressor to Aux Temperature Delta [droop] > **3°F**
- >> Compressor to Aux Runtime > **AUTO** (factory default, adjust if receiving many "Aux heat running" alerts)
- >> Aux Stage 2 Temperature Delta > **1°F**
- >> Aux Reverse Staging > **DISABLE**
- >> Aux Stage 1 Max Runtime > **AUTO** (factory default, adjust if receiving many "Aux heat running" alerts)

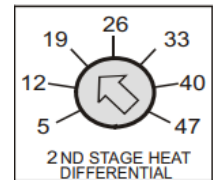
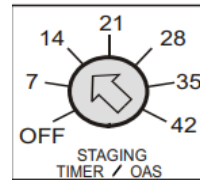
ZONE CONTROL PARAMETERS:



- HP** < SYSTEM > **OTHER**
- DF** < HP > **CONV**
- HC** < TSTATS > **HP**
- O** < RV > **B**
- OAS** < STAGING > **TIMER**
- OFF** < 50%RULE > **ON**
- OFF** < SAS > **ON**
- GAS** < FAN > **HYDRONIC**

Set OAS to:
Whatever temp is desired

Set 2nd Stage Heat Differential to **5**



NOTES:

TSS Associates, Inc.

DESCRIPTION

ECOBEE 3 LITE – BOSCH **IDS** – M20 AIR HANDLER –
HYDRONIC COIL – EWC BMP3000

DATE: 2/6/2024

PAGE: 3 of 3