



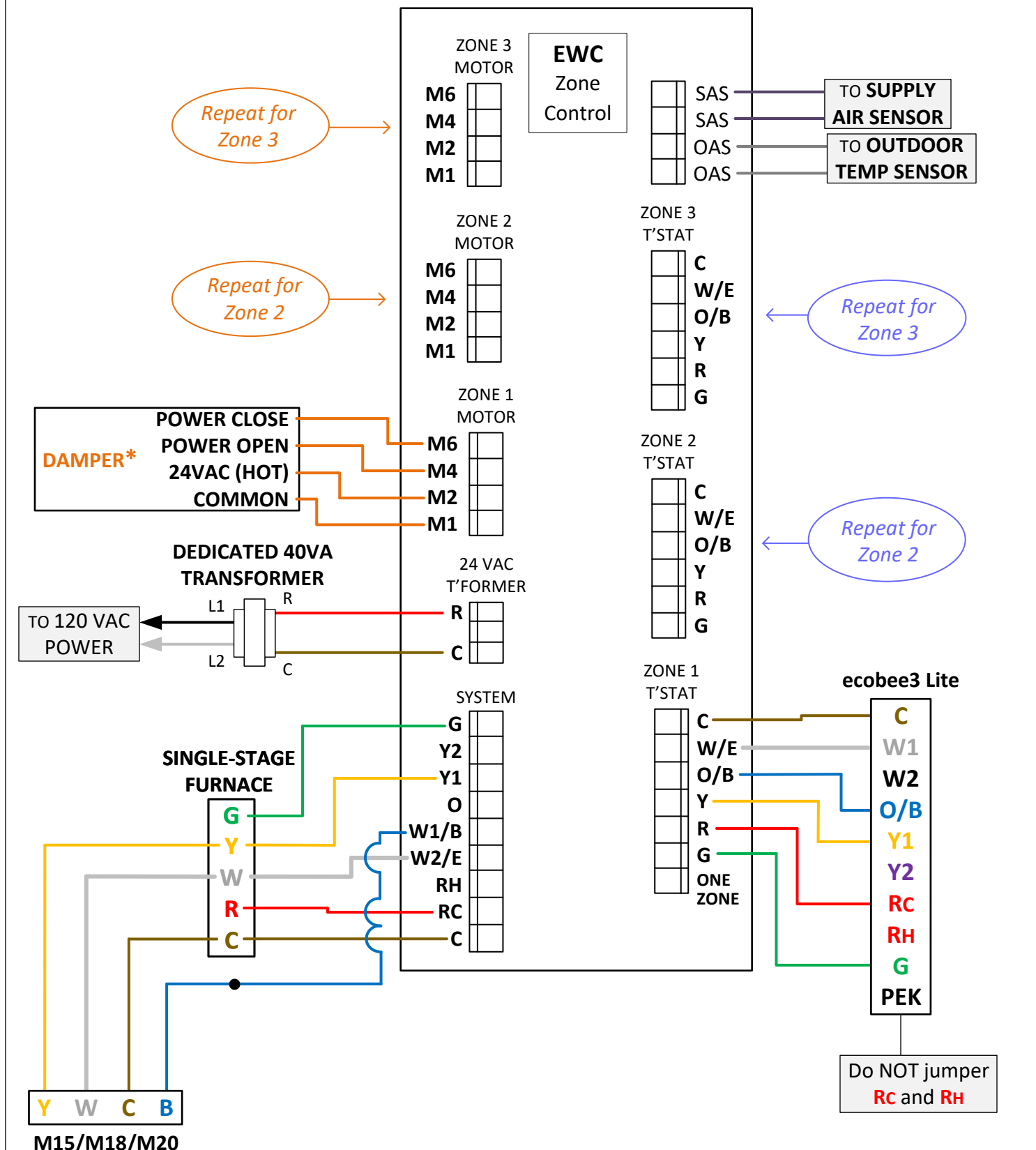
# TSS Associates, Inc.



For further assistance, please contact  
Ecobee directly for Tech Support

---

1-877-932-6233



**NOTES:**

\*If powering more than one damper per zone, a dedicated transformer with isolation relay is required at each zone. Follow the directions in the EWC Installation and Operation Manual.

**TSS Associates, Inc.**

DESCRIPTION

ECOBEE 3 LITE – BOSCH IDS – SINGLE-STAGE GAS/OIL FURNACE – EWC BMP3000

DATE: 2/6/2024

PAGE: 2 of 3

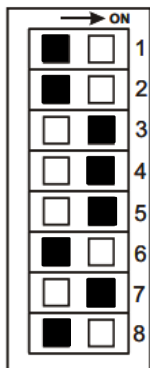
**PARAMETERS:**

- >> Transformer > **YES, ONLY Rc IS CONNECTED**
- >> Configuration > Make sure highlighted icons correspond with wires installed
- >> Equipment > **HEAT PUMP > AIR TO AIR**
- >> O/B Reversing Valve > **ON HEAT**
- >> Allow Heat Pump and Aux Heat to run simultaneously > **DISABLE**
- >> Compressor Minimum Outdoor Temperature > **DISABLE**
- >> Type of heating > **FURNACE**
- >> How do you want your fan to be controlled > **BY THERMOSTAT**

↳ **MAIN MENU > SETTINGS > INSTALLATION SETTINGS (ADVANCED OPTIONS) > THRESHOLDS:**

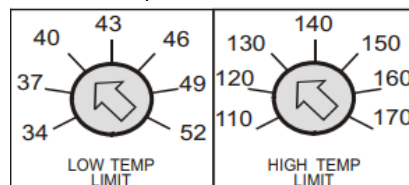
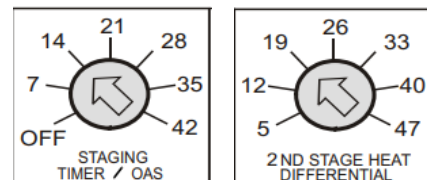
- >> Threshold Staging > **AUTOMATIC**
- >> Auto Heat/Cool > **DISABLE**
- >> Aux Savings Optimization > **Super (2°F)**  
*- sacrifice a bit of comfort for savings (recommended setting, default value)*
- >> Aux Heat Max Outdoor Temperature > **WHATEVER TEMPERATURE IS DESIRED BASED UPON ENERGY COSTS**

**ZONE CONTROL PARAMETERS:**



**HP** < SYSTEM > OTHER  
**DF** < HP > **CONV**  
**HC** < TSTATS > **HP**  
**O** < RV > **B**  
**OAS** < STAGING > **TIMER**  
**OFF** < 50%RULE > **ON**  
**OFF** < SAS > **ON**  
**GAS** < FAN > **HYDRONIC**

→ Set OAS to **Whatever temp is desired**  
 Set 2<sup>nd</sup> Stage Heat Differential to **5**  
 → Set Low Temp Limit to **40**  
 Set High Temp Limit to **140** for Gas, **160** for Oil



NOTES:

**Bosch BGH96 Furnace W2 Delay:**

<b>S1-1</b>	<b>S1-2</b>	<b>S1-1</b>	<b>S1-2</b>
<b>ON</b>	<b>OFF</b>	<b>ON</b>	<b>ON</b>
Sets to 10 minutes		Sets to 20 minutes	

**TSS Associates, Inc.**

DESCRIPTION  
 ECOBEE 3 LITE – BOSCH **IDS** – SINGLE-STAGE  
 GAS/OIL FURNACE – EWC BMP3000

DATE: 2/6/2024 PAGE: 3 of 3