

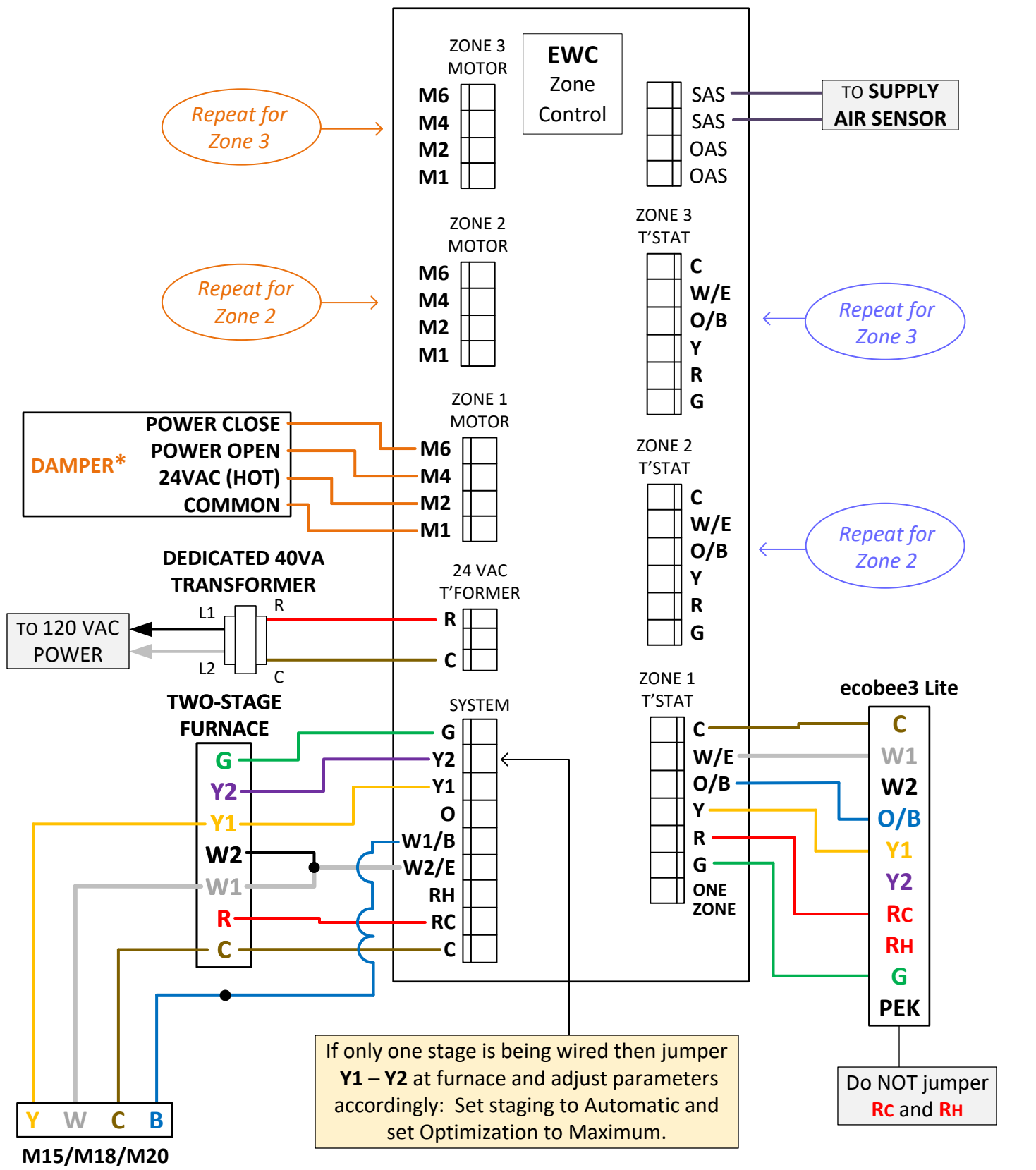


TSS Associates, Inc.



For further assistance, please contact
Ecobee directly for Tech Support

1-877-932-6233



NOTES:

- For Dual Fuel Applications -

***If powering more than one damper per zone, a dedicated transformer with isolation relay is required at each zone. Follow the directions in the EWC Installation and Operation Manual.**

TSS Associates, Inc.

DESCRIPTION

ECOBEE 3 LITE – BOSCH IDS – TWO-STAGE GAS/OIL FURNACE – EWC BMP300

DATE: 2/6/2024

PAGE: 2 of 3

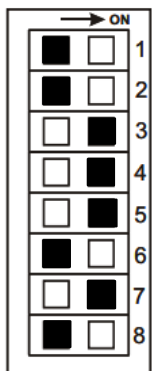
PARAMETERS:

- >> Transformer > **YES, ONLY RC IS CONNECTED**
- >> Configuration > Make sure highlighted icons correspond with wires installed
- >> Equipment > **HEAT PUMP > AIR TO AIR**
- >> O/B Reversing Valve > **ON HEAT**
- >> Allow Heat Pump and Aux Heat to run simultaneously > **DISABLE**
- >> Compressor Minimum Outdoor Temperature > **WHATEVER TEMPERATURE IS DESIRED BASED UPON HOMEOWNER COMFORT AND ENERGY COSTS**
- >> Type of heating > **FURNACE**
- >> How do you want your fan to be controlled > **BY THERMOSTAT**

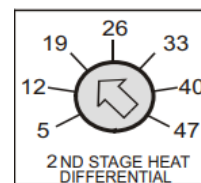
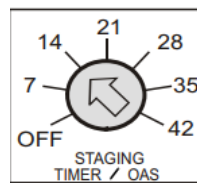
↳ **MAIN MENU > SETTINGS > INSTALLATION SETTINGS (ADVANCED OPTIONS) > THRESHOLDS:**

- >> Threshold Staging > **MANUAL**
- >> Auto Heat/Cool > **DISABLE**
- >> Compressor Stage 2 Temperature Delta > **1°F**
- >> Compressor Reverse Staging > **DISABLE**
- >> Compressor Stage 1 Max Runtime > **AUTO** (factory default, adjust if receiving many “Aux heat running” alerts)
- >> Aux Heat Max Outdoor Temperature > **WHATEVER TEMPERATURE IS DESIRED BASED UPON ENERGY COSTS**
- >> Compressor to Aux Temperature Delta [droop] > **3°F**
- >> Compressor to Aux Runtime > **AUTO** (factory default, adjust if receiving many “Aux heat running” alerts)
- >> Aux Stage 2 Temperature Delta > **1°F**
- >> Aux Reverse Staging > **DISABLE**
- >> Aux Stage 1 Max Runtime > **AUTO** (factory default, adjust if receiving many “Aux heat running” alerts)

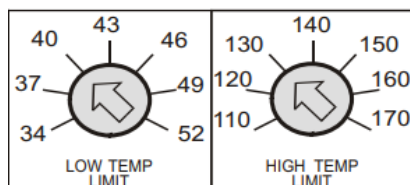
ZONE CONTROL PARAMETERS:



- HP** < SYSTEM > **OTHER**
- DF** < HP > **CONV**
- HC** < TSTATS > **HP**
- O** < RV > **B**
- OAS** < STAGING > **TIMER**
- OFF** < 50%RULE > **ON**
- OFF** < SAS > **ON**
- GAS** < FAN > **HYDRONIC**



- Set **TIMER** to **35**
- Set **2nd Stage Heat Differential** to **5**
- Set **Low Temp Limit** to **40**
- Set **High Temp Limit** to **140** for Gas, **160** for Oil



NOTES:

Bosch BGH96 Furnace W2 Delay:			
S1-1	S1-2	S1-1	S1-2
ON	OFF	ON	ON
Sets to 10 minutes		Sets to 20 minutes	

TSS Associates, Inc.

DESCRIPTION	
ECOBEE 3 LITE – BOSCH IDS – TWO-STAGE GAS/OIL FURNACE – EWC BMP3000 ZONE BOARD	
DATE:	2/6/2024
PAGE:	3 of 3