



TSS Associates, Inc.

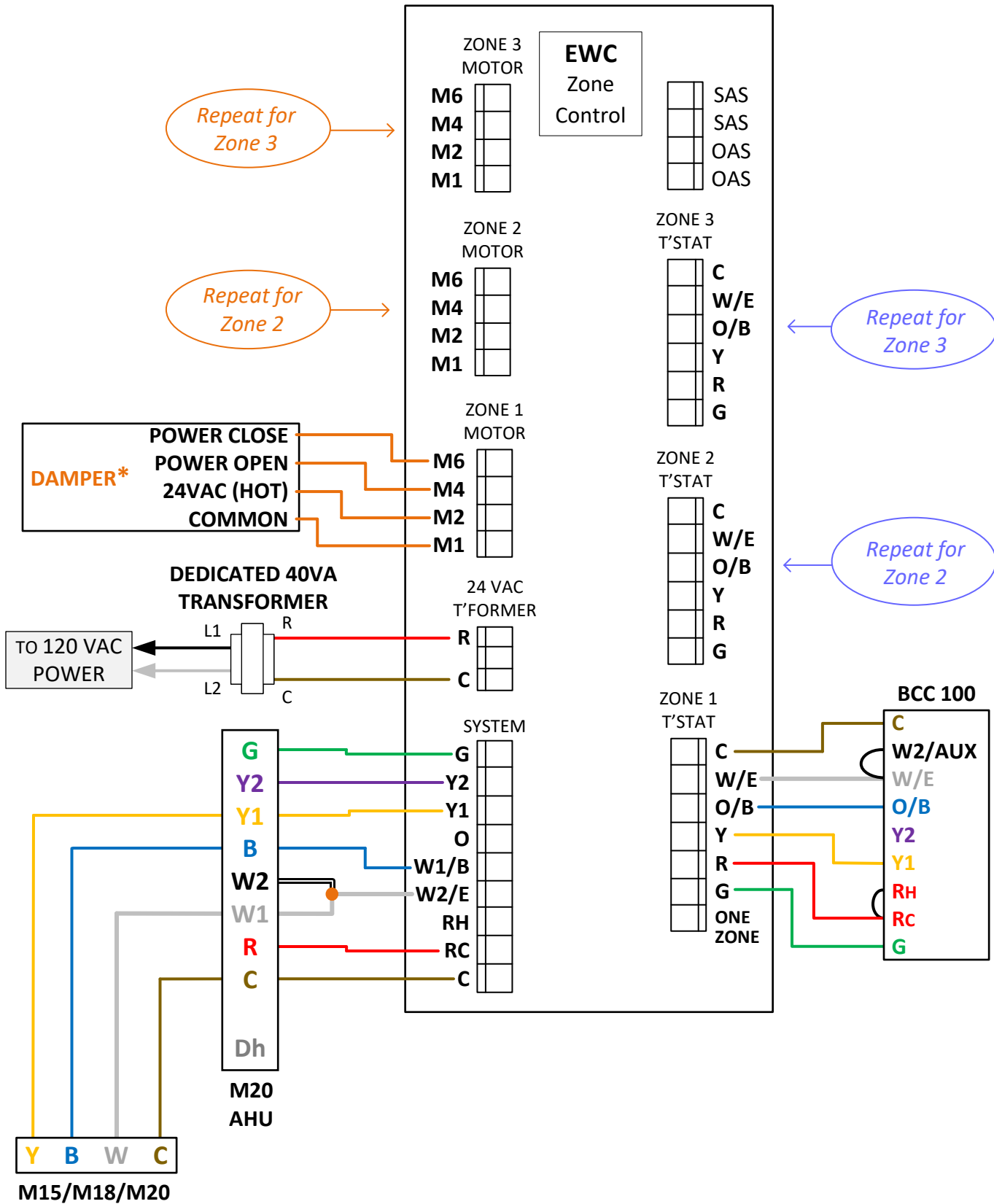


BOSCH

Invented for life

For further assistance, please contact
TSS Associates for Tech Support

518-621-7283



NOTES:

*If powering more than one damper per zone, a dedicated transformer with isolation relay is required at each zone. Follow the directions in the EWC Installation and Operation Manual.

TSS Associates, Inc.

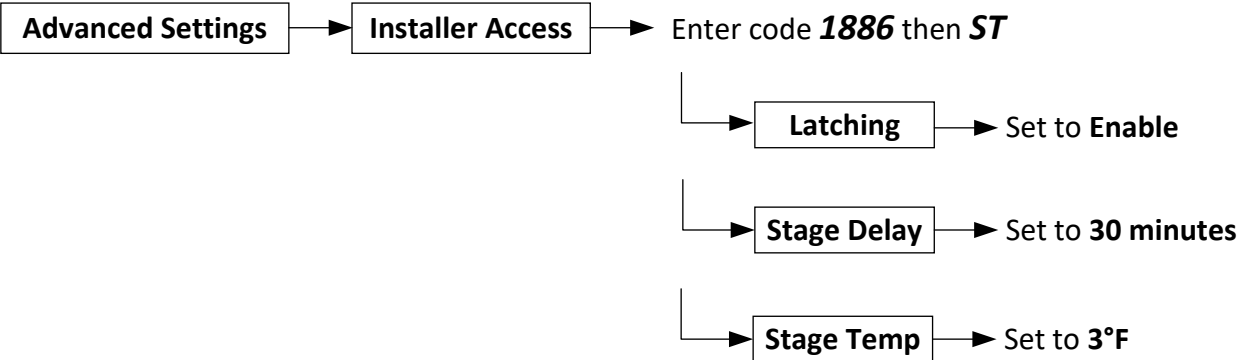
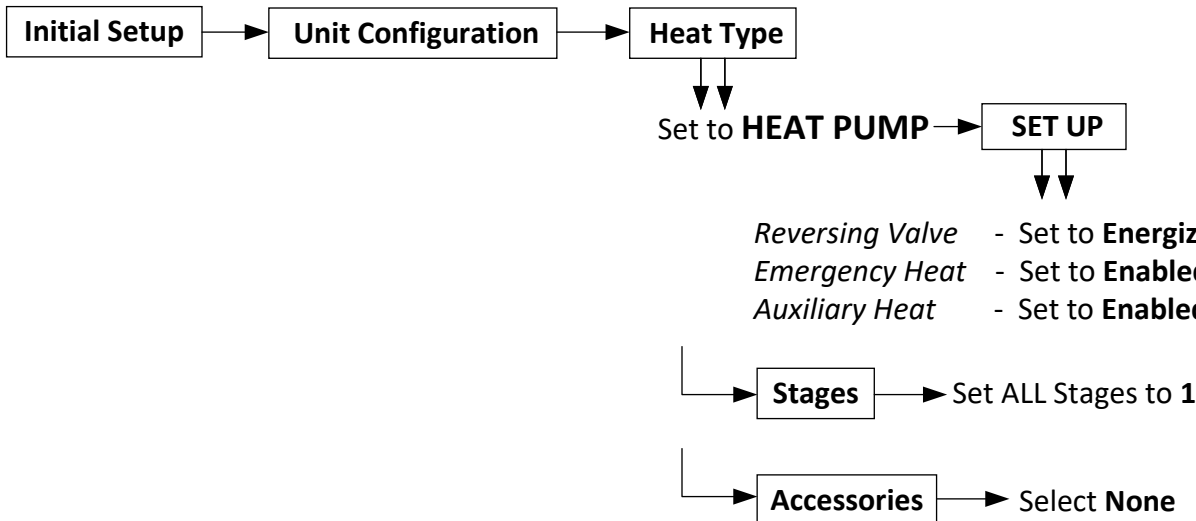
DESCRIPTION

BOSCH BCC100 – IDS – M20 AIR HANDLER – ELECTRIC BACK-UP – EWC BMP3000

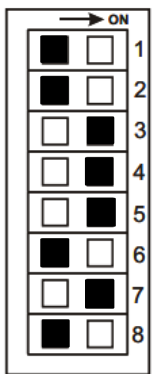
DATE: 1/4/2024

PAGE: 2 of 3

THERMOSTAT PARAMETERS:

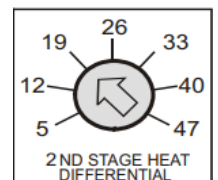
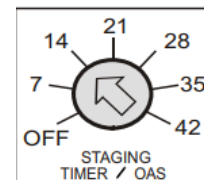


ZONE CONTROL PARAMETERS:



HP < SYSTEM > OTHER
DF < HP > **CONV**
HC < TSTATS > **HP**
O < RV > **B**
OAS < STAGING > **TIMER**
OFF < 50%RULE > ON
OFF < SAS > ON
GAS < FAN > **HYDRONIC**

→ Set Timer to **Off**
 Set 2nd Stage Heat Differential to **5**



NOTES:

TSS Associates, Inc.

DESCRIPTION

BOSCH BCC100 – IDS – M20 AIR HANDLER –
ELECTRIC BACK-UP – EWC BMP3000

DATE: 1/4/2024

PAGE: 3 of 3