



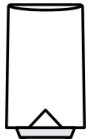
TSS Associates, Inc.

tekmar[®]
Control Systems

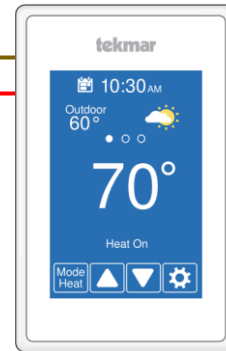
For further assistance, please contact
Tekmar directly for Tech Support

1-800-874-2004

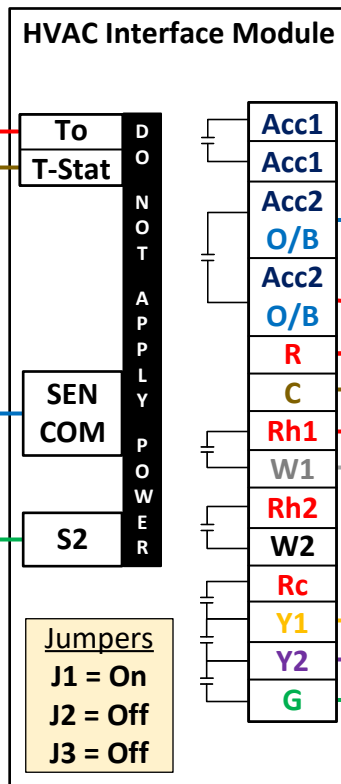
tekmar
Outdoor
Sensor
070



tekmar
Invita 564
WiFi Thermostat



tekmar
Invita 564



BVA20



M15
M18
M20



NOTES:

Interface Module requires a 6VA transformer. The BVA20 has a 40VA transformer in it.

Auxiliary heat is a boiler with baseboard or radiators.

TSS Associates, Inc.

DESCRIPTION

tekmar INVITA 564 – BOSCH IDS – M20 AIR HANDLER – BOILER BACK-UP

DATE: 6/14/2024

PAGE: 2 of 3

tekmar
Setup Menu:

>> Toolbox:

Set **Access Level** to **User** after programming is completed.

>> Temp: (Screen Page 3)

Warm Weather Shut Down = **Whatever temperature is desired**

Cold Weather Shut Down = **Whatever temperature is desired**

Heat Pump Balance Point = **35°F**

>> Sensors:

Sensor 2 = **Outdoor**

>> Relays:

Heating Type = **Heat Pump**

Equipment = **2 HP/1 AUX**

Heat 1 Differential = **0.5°F**

Heat 2 Differential = **2.0°F**

Heat 2 Delay = **60 minutes**

Cool 1 Differential = **0.5°F**

Cool 2 Differential = **2.0°F**

Cool 2 Differential = **30 minutes**

Y Min Run Time = **0:30 minutes** (30 seconds)

Y Min Off Time = **0:30 minutes** (30 seconds)

Dual Fuel = **On**

Heat Pump Reversing Valve = **B**

Fan Relay = **With Y**

Dehumidifier Type = **DX Coil**

Window Protection = **On**

Window Quality = **Select whichever is applicable**

Follow **tekmar 564** IOM to change any other settings or alerts desired.

NOTES:

TSS Associates, Inc.

DESCRIPTION

tekmar INVITA 564 – BOSCH **IDS** – M20 AIR HANDLER – BOILER BACK-UP

DATE: 6/14/2024

PAGE: 3 of 3