



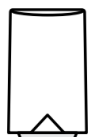
TSS Associates, Inc.

tekmar[®]
Control Systems

For further assistance, please contact
Tekmar directly for Tech Support

1-800-874-2004

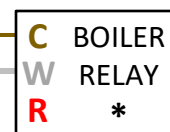
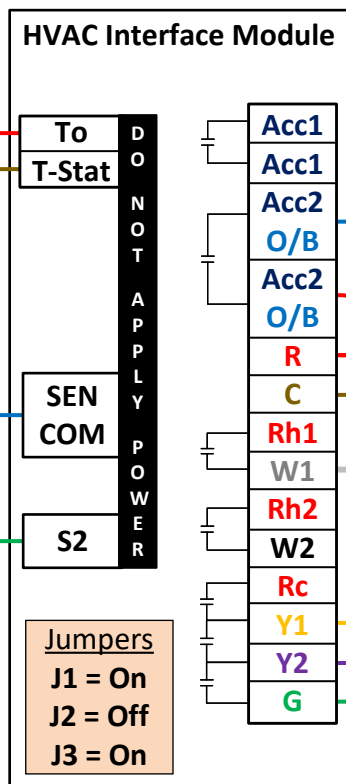
tekmar
Outdoor
Sensor
070



tekmar
Invita 564
WiFi Thermostat



tekmar
Invita 564



M20
AIR HANDLER



M15
M18
M20



NOTES:

Interface Module requires a 6VA transformer. The BVA20 has a 40VA transformer in it.

Auxiliary heat is a hydronic coil.

*If the boiler zone relay is older with just R – W, a RiB relay is required.

TSS Associates, Inc.

DESCRIPTION

TEKMAR INVITA 564 – BOSCH IDS – M20 AHU – HYDRO-COIL

DATE: 6/14/2024

PAGE: 2 of 3

tekmar
Setup Menu:

>> Toolbox:

Set **Access Level** to **User** after programming is completed.

>> Temp: (Screen Page 3)

Warm Weather Shut Down = Factory set to **Off**, or **Whatever temperature is desired**

Cold Weather Shut Down = Factory set to **Off**, or **Whatever temperature is desired**

Heat Pump Balance Point = **Whatever temperature is desired based upon homeowner comfort and energy costs**

>> Sensors:

Sensor 2 = **Outdoor**

>> Relays:

Heating Type = **Heat Pump**

Equipment = **2 HP/1 AUX**

Heat 1 Differential = **1.5°F**

Heat 2 Differential = **2.0°F**

Heat 2 Delay = **60 minutes**

Cool 1 Differential = **1.5°F**

Cool 2 Differential = **2.5°F**

Cool 2 Delay = **30 minutes**

Dual Fuel = **On**

Heat Pump Reversing Valve = **B**

Fan Relay = **With Y and W1**

****Follow **tekmar 564** IOM to change any other settings or alerts desired.****

NOTES:

TSS Associates, Inc.

DESCRIPTION

TEKMAR INVITA 564 – BOSCH **IDS** – M20 AHU – HYDRO-COIL

DATE: 6/14/2024

PAGE: 3 of 3