



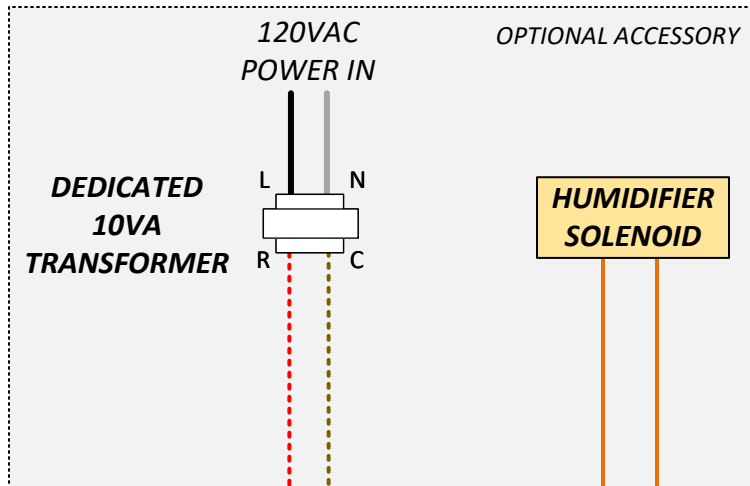
TSS Associates, Inc.

tekmar[®]
Control Systems

For further assistance, please contact
Tekmar directly for Tech Support

1-800-874-2004

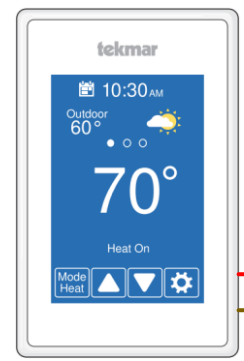
----- = OPTIONAL WIRING



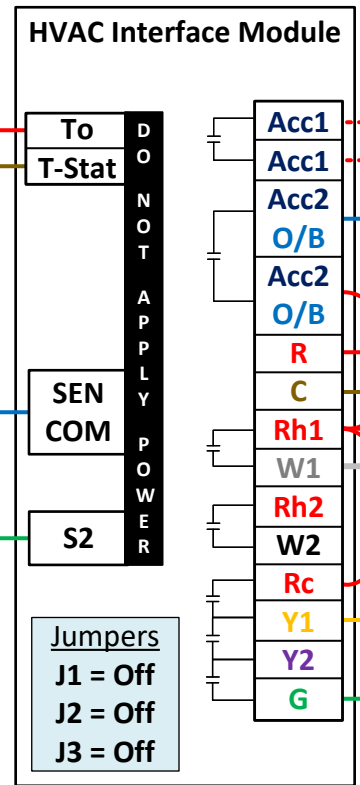
tekmar
Outdoor
Sensor
070



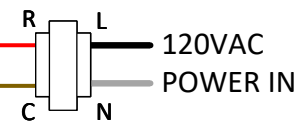
tekmar
Invita 564
WiFi Thermostat



tekmar
Invita 564



DEDICATED 10VA TRANSFORMER



GAS/OIL
FURNACE



M15
M18
M20



NOTES:
Interface Module requires a 6VA transformer. The most furnaces have a 10VA transformer in them. It is required to wire a dedicated 10VA transformer for the module as shown to prevent any possible issues.

TSS Associates, Inc.

DESCRIPTION
TEKMAR INVITA 564 – BOSCH IDS – SINGLE-STAGE FURNACE

DATE: 6/14/2024 PAGE: 2 of 3

tekmar
Setup Menu:

>> Toolbox:

Set **Access Level** to **User** after programming is completed.

>> Temp: (Screen Page 3)

Warm Weather Shut Down = Factory set to **Off**, or **Whatever temperature is desired**

Cold Weather Shut Down = Factory set to **Off**, or **Whatever temperature is desired**

Heat Pump Balance Point = **Whatever temperature is desired based upon homeowner comfort and energy costs**

>> Sensors:

Sensor 2 = **Outdoor**

>> Relays:

Heating Type = **Heat Pump**

Equipment = **2 HP/2 AUX**

Heat 1 Differential = **1.0°F**

Heat 2 Differential = **2.0°F**

Heat 2 Delay = **60 minutes**

Cool 1 Differential = **1.0°F**

Cool 2 Differential = **2.0°F**

Cool 2 Differential = **30 minutes**

Dual Fuel = **On**

Accessory Relay 1 = **Humidifier**

Heat Pump Reversing Valve = **B**

Fan Relay = **With Y, W1, and W2**

| | |
|---|--------------|
| Humidifier Type = <i>Select whichever is applicable</i> | If wiring |
| Window Protection = On | * optional * |
| Window Quality = <i>Select whichever is applicable</i> | equipment |

Follow **tekmar 564 IOM** to change any other settings or alerts desired.

Bosch BGH96 Furnace W2 Delay:

S1-1 S1-2

ON OFF

Sets to 10 minutes

S1-1 S1-2

ON ON

Sets to 20 minutes

NOTES:

TSS Associates, Inc.

DESCRIPTION

TEKMAR INVITA 564 – BOSCH **IDS** – SINGLE-STAGE FURNACE

DATE: 6/14/2024

PAGE: 3 of 3